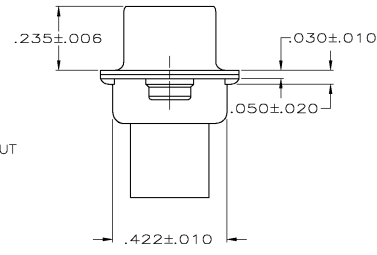
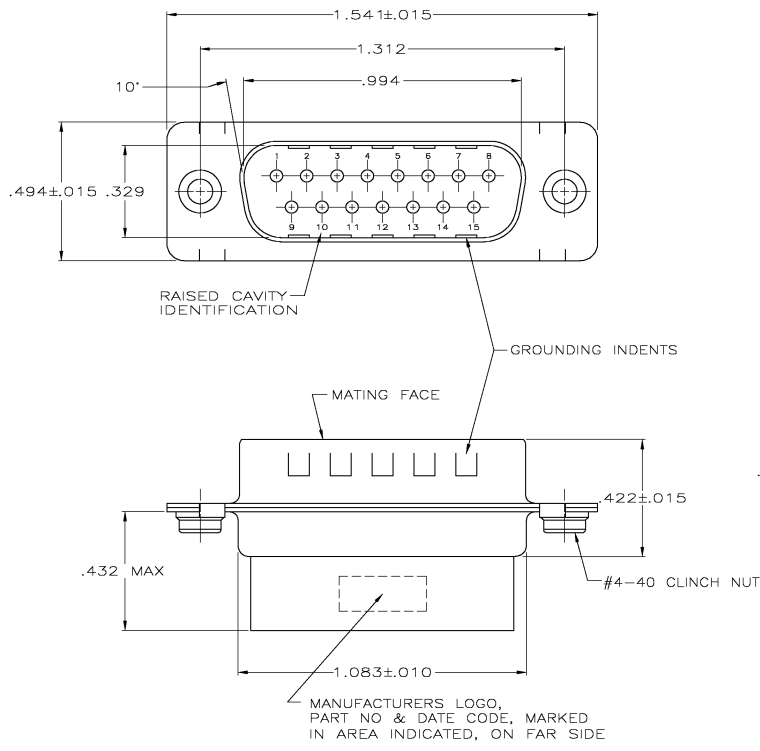


THIS DRAWING IS UNPUBLISHED. RELEASED FOR PUBLICATION
 © COPYRIGHT BY TYCO ELECTRONICS CORPORATION. ALL RIGHTS RESERVED.

LOC	DIST	REVISIONS			
P	LTR	DESCRIPTION	DATE	BY	APPD
CP	00	0	RELEASED PER EC 0513-0257-04	11-10-04	GA JG



- 1. CONNECTOR ACCEPTS SIZE 20 DF PIN CONTACTS. RETENTION TINES ARE AN INTEGRAL PART OF INSERT.
- ▲ MOLDED PARTS: FLAME RETARDANT 94V-0 RATED THERMOPLASTIC; COLOR: BLACK.
- ▲ SHELLS & CLINCH NUTS: STEEL PER ASTM A109.
- ▲ SHELLS: .000200 MIN TIN OVER .000100 MIN COPPER. CLINCH NUTS: CLEAR CHROMATE OVER ZINC.

5745908-2
PART NUMBER

THIS DRAWING IS A CONTROLLED DOCUMENT.		DR: S. ATTADIA 11-10-04	Tyco Electronics Corporation	
		CHK: J. GERACE 11-10-04	Harrisburg, PA 17105-3608	
DIMENSIONS: INCHES		APPD: M. WALMSLEY 11-10-04	PLUG CONNECTOR, SIZE 2, 15 POS, W/CLINCH NUTS, AMPLIMITE HDP	
TOLERANCES UNLESS OTHERWISE SPECIFIED:		PRODUCT SPEC: 108-40005	RESTRICTED TO	
0 PLG ± .005		APPLICATION SPEC: 114-40030	SIZE: A2	CASE CODE: 00779
1 PLG ± .005		HEIGHT: -	DRAWING NO: 5745908	
2 PLG ± .005		CUSTOMER DRAWING		
3 PLG ± .005		SCALE: 4:1 SHEET 1 OF 1 REV 0		
4 PLG ± .005				
ANGLES ± .2°				
FINISH: ▲				