

4

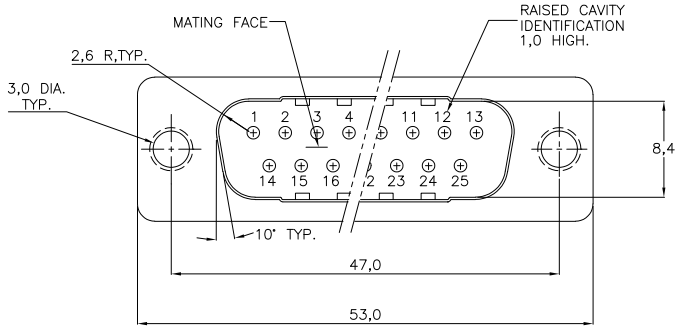
3

2

1

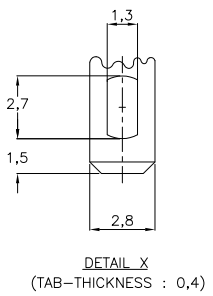
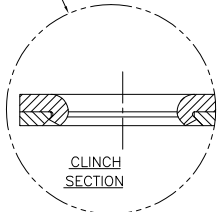
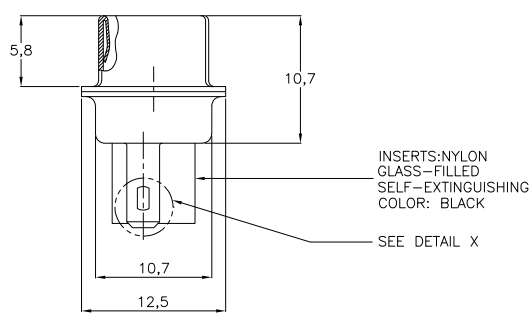
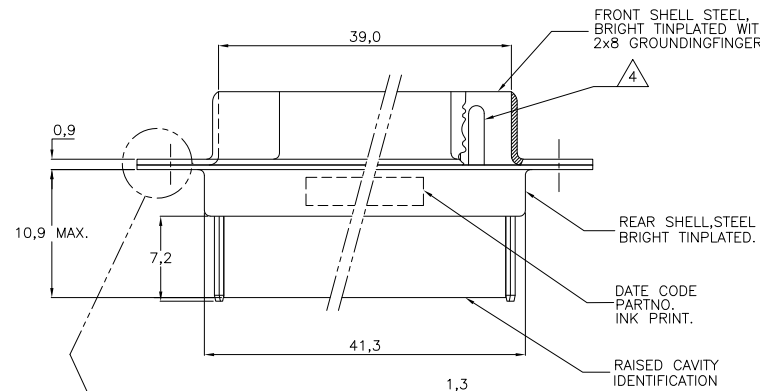
THIS DRAWING IS UNPUBLISHED. RELEASED FOR PUBLICATION
 © COPYRIGHT BY TYCO ELECTRONICS CORPORATION. ALL INTERNATIONAL RIGHTS RESERVED.

| LOC | DIST | REVISIONS | | | | |
|-----|------|---------------|----------|------|------|--|
| P | LTR | DESCRIPTION | DATE | OWN | APVD | |
| B | | EH01-1520-03 | 22-12-03 | JvdH | - | |
| B1 | | ECR-08-015757 | 09-07-08 | AEG | KMA | |



- NOTES:**
- THIS PLUG ACCEPTS SIZE 20 PIN CONTACTS
 - MAXIMUM WIRE INSULATION RECOMMENDED FOR USE WITH THIS PLUG IS 1,73 DIA. MAX..
 - RETENTION TINES ARE AN INTEGRAL PART OF INSERT.
 - CONTACTS SHOWN FOR ILLUSTRATION ONLY, NO PART OF CONNECTOR PACKAGE, MUST BE ORDERED SEPARATELY.
 - FOLLOWING INSERTION/REMOVAL TOOLS ARE RECOMMENDED FOR USE WITH THESE CONNECTORS:

| | |
|---------------------------|---------------------------|
| 32-28AWG/28-24AWG CONT's | 24-20AWG CONTACTS |
| 91067-3 INSERTION/REMOVAL | 91067-2 INSERTION/REMOVAL |
| 726363-1 INSERTION ONLY | 726363-1 INSERTION ONLY |
| | 726364-1 REMOVAL ONLY |



| | | |
|--|----------------------|---------------------|
| SEE DRAWING FINISH | SEE DRAWING MATERIAL | 215488-1 PARTNUMBER |
| OWN: B.MOOIJ 02SEP86 CHK: C.V.TILBURG. 08SEP86 APVD: L.V.SOEST. 01OCT86 NAME: Tyco Electronics Corporation 's-Hertogenbosch, Nederland PRODUCT SPEC: HDP-20 PLUG CONNECTOR, SIZE 3, (25 POSITION) WITH SOLDER TAB. APPLICATION SPEC: --- WEIGHT: --- SIZE: A3 CAGE CODE: 00779 DRAWING NO: 215488 RESTRICTED TO: --- CUSTOMER DRAWING SCALE: NTS SHEET: 1 of 1 REV: B1 | | |

THIS DRAWING IS A CONTROLLED DOCUMENT.

| DIMENSIONS: | TOLERANCES UNLESS OTHERWISE SPECIFIED: |
|-------------|--|
| mm | 0 PLC ± - |
| | 1 PLC ± - |
| | 2 PLC ± - |
| | 3 PLC ± - |
| | 4 PLC ± - |
| | ANGLES ± - |
| MATERIAL | FINISH |
| - | - |