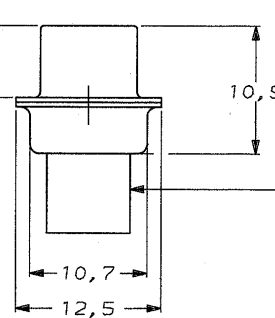
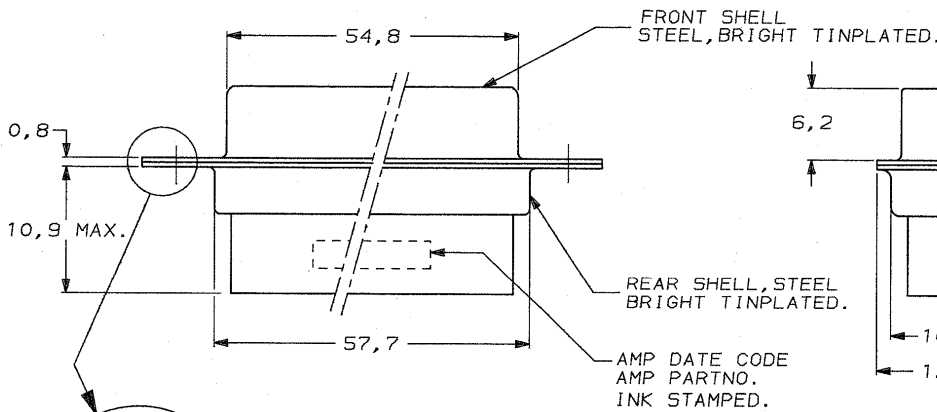


DO NOT SCALE
DIMENSIONS IN mm

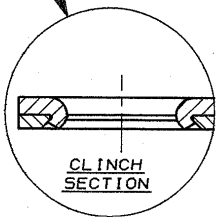
METRIC



NOTES: 1 THIS RECEPTACLE ACCEPTS SIZE 22 REC. CONTACTS.
2 RETENTION TINES ARE AN INTEGRAL PART OF INSERT.
3 CONTACT INSERTION/REMOVAL TOOL AMP P.N. 91285-1 IS RECOMMENDED FOR USE WITH THESE CONNECTORS:



INSERTS: NYLON
GLASS-FILLED
SELF-EXTINGUISHING
COLOR: BLACK



SEE DRAWING		SEE DRAWING	216167-1
FINISH		MATERIAL	PARTNUMBER
CUSTOMER DRAWING	AMP		AMP-HOLLAND B.V. 's-Hertogenbosch, The Netherlands.
	THIS DRAWING IS UNPUBLISHED RELEASED FOR PRODUCTION		
FOR REFERENCE ONLY WILL NOT BE UPDATED		© COPYRIGHT 19- BY AMP-HOLLAND B.V. ALL INTERNATIONAL RIGHTS RESERVED. AMP PRODUCTS MAY BE COVERED BY U.S. AND FOREIGN PATENTS AND/OR PATENTS PENDING.	
DR. J. V. D. MEIJDEN.	DATE 07-12-88	WIRE RANGE	NAME HDP-22 REC. CONNECTOR, SIZE 4, (62 POSITION)
CHK.	DATE 2-1-89	INSUL. RANGE	REV. DATE 07 12 88
APP.	DATE 4-1-89	SIZE A3	SHEET 1 OF 1
		DWG. No.	C-216167
			REV. LTR. 0

8 | 7 | 6 | 5 | 4 | 3 | 2 | 1