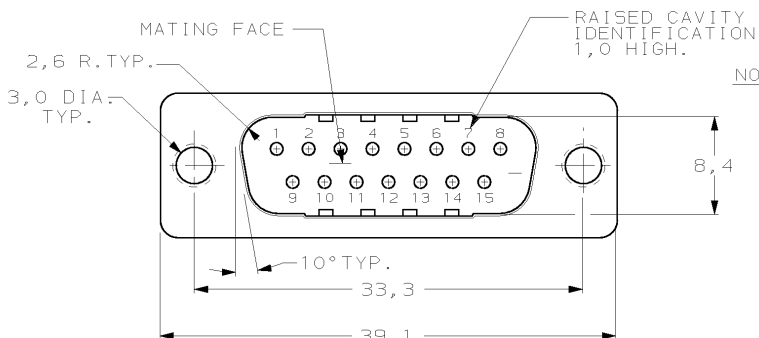
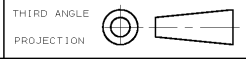


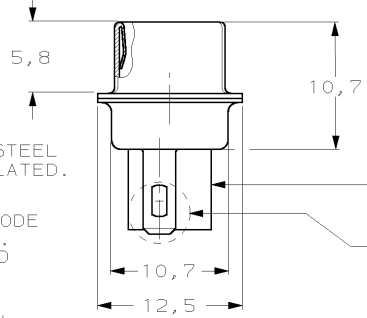
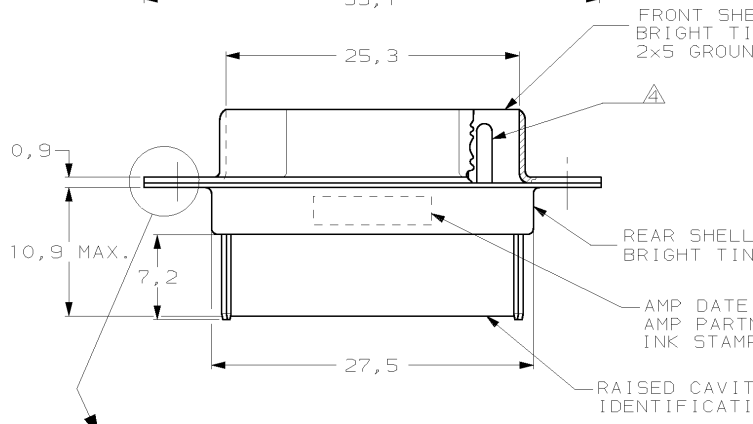
**DO NOT SCALE**  
DIMENSIONS IN mm

**METRIC**

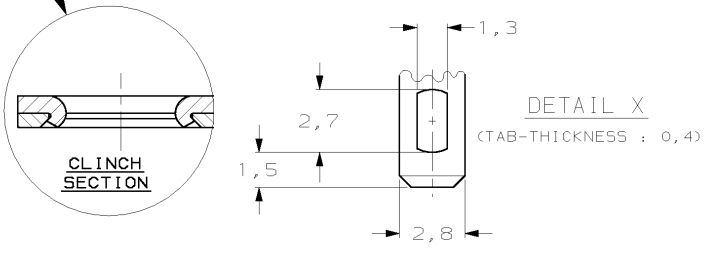


- NOTES:**
- THIS PLUG ACCEPTS SIZE 20 PIN CONTACTS
  - MAXIMUM WIRE INSULATION RECOMMENDED FOR USE WITH THIS PLUG IS 1,73 DIA. MAX..
  - RETENTION TINES ARE AN INTEGRAL PART OF INSERT.
  - CONTACTS SHOWN FOR ILLUSTRATION ONLY, NO PART OF CONNECTOR PACKAGE, MUST BE ORDERED SEPARATELY.
  - FOLLOWING INSERTION/REMOVAL TOOLS ARE RECOMMENDED FOR USE WITH THESE CONNECTORS:
 

32-28AWG/28-24AWG CONT'S	24-20AWG CONTACTS
91067-3 INSERTION/REMOVAL	91067-2 INSERTION/REMOVAL
726363-1 INSERTION ONLY	726364-1 REMOVAL ONLY



INSERTS: NYLON  
GLASS-FILLED  
SELF-EXTINGUISHING  
COLOR: BLACK  
SEE DETAIL X



SEE DRAWING	SEE DRAWING	215712-1
FINISH	MATERIAL	PARTNUMBER
-	-	-
<b>CUSTOMER DRAWING</b>		FOR REFERENCE ONLY WILL NOT BE UPDATED.
© COPYRIGHT 19-- BY AMP HOLLAND B.V. ALL INTERNATIONAL RIGHTS RESERVED. AMP PRODUCTS MAY BE COVERED BY U.S. AND FOREIGN AND/OR PATENTS PENDING.		
THIS DRAWING IS UNPUBLISHED		
TYCO ELECTRONICS NEDERLAND B.V. 's-HERTOGEBOSCH, THE NETHERLANDS.		
NAME		
HDP-20 PLUG CONNECTOR, SIZE 2, (15 POSITION) WITH SOLDER TAB.		
LTR.	REVISION RECORD	DR. CHK. DATE
DR. : L.V.D.HEIJDEN	CHK. : C.V.TILBURG	APP. : L.V.SOEST.
DATE: 30-06-87	DATE: 07-07-87	DATE: 28-07-87
DWG. No.		REV. LTR. SHEET
C-215712		C 1 OF 1