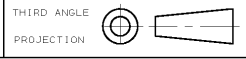


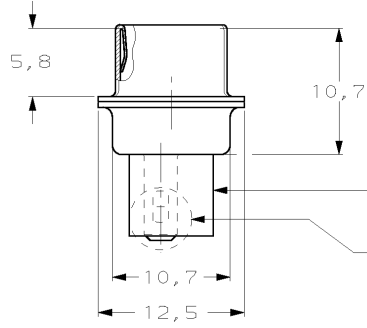
DO NOT SCALE
DIMENSIONS IN mm

METRIC



- NOTES:
- 1 THIS PLUG ACCEPTS SIZE 20 PIN CONTACTS
 - 2 MAXIMUM WIRE INSULATION RECOMMENDED FOR USE WITH THIS PLUG IS 1,73 DIA. MAX..
 - 3 RETENTION TINES ARE AN INTEGRAL PART OF INSERT.
 - 4 CONTACTS SHOWN FOR ILLUSTRATION ONLY, NO PART OF CONNECTOR PACKAGE, MUST BE ORDERED SEPARATELY.
 - 5 FOLLOWING INSERTION/REMOVAL TOOLS ARE RECOMMENDED FOR USE WITH THESE CONNECTORS:

32-28AWG/28-24AWG CONTACTS	24-20AWG CONTACTS
91067-3 INSERTION/REMOVAL	91067-2 INSERTION/REMOVAL
726363-1 INSERTION ONLY	726363-1 INSERTION ONLY
	726364-1 REMOVAL ONLY



SEE DRAWING	SEE DRAWING	215711-1
FINISH	MATERIAL	PARTNUMBER
-	-	-
CUSTOMER DRAWING		FOR REFERENCE ONLY WILL NOT BE UPDATED
© COPYRIGHT 19- BY AMP HOLLAND B.V. ALL INTERNATIONAL RIGHTS RESERVED. AMP PRODUCTS MAY BE COVERED BY U.S. AND FOREIGN AND/OR PATENTS PENDING. THIS DRAWING IS UNPUBLISHED RELEASED FOR PUBLICATION 719		
Tyco Electronics		TYCO ELECTRONICS NEDERLAND B.V. 's-HERTOEGEBOSCH, THE NETHERLANDS.
NAME		
HDP-20 PLUG CONNECTOR, SIZE 1, (9 POSITION) WITH SOLDER TAB.		
LTR.	REVISION RECORD	DR. CHK. DATE
B	EH01-1520-03	JvdH PDJ 22 DEC 03
DR. L.V.D. HEIJDEN.	CHK. C.V. TILBURG.	APP. L.V. SOEST.
DATE: 30-06-87	DATE: 07-07-87	DATE: 28-07-87
DWG. No.		REV. LTR. SHEET
C-215711		B 1 OF 1

8 | 7 | 6 | 5 | 4 | 3 | 2 | 1