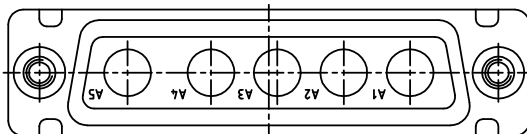
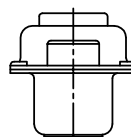
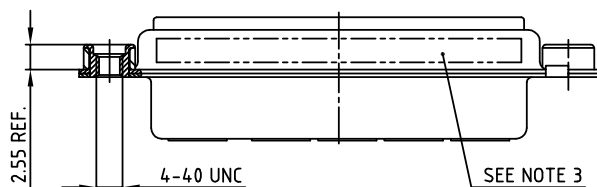
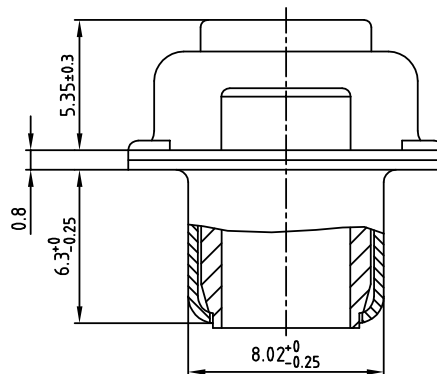
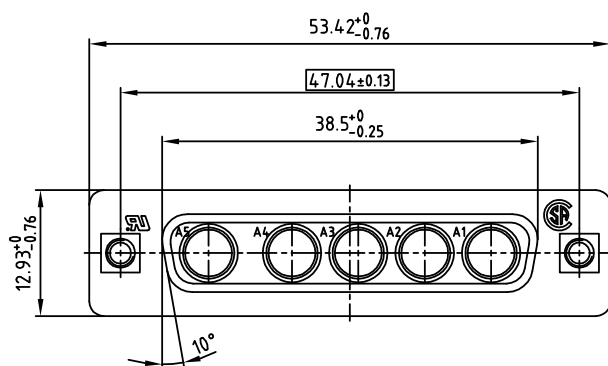


used for: D-SUB COMBINATION

5:1



NOTES:

- METALSHELLS: STEEL; min. 320µ" TIN
- INSULATOR: PBT GF, UL 94 V-0; GREEN
- CONNECTOR IS PART MARKED: PART NO: CONEC Y/WW
- = CRITICAL DIMENSION

Directive 2002/95/EC
"RoHS"
Compliant

THIS DRAWING MAY NOT BE COPIED OR REPRODUCED IN ANY WAY, AND MAY NOT BE PASSED ON TO A THIRD PARTY, WITHOUT WRITTEN PERMISSION. OWNERSHIP AND COPYRIGHT OF CONEC GmbH DO NOT ALTER CAD DRAWING BY HAND

rev.	description	date	name

tolerance	
2002	date
drawn	28.08. Schmidt
appd.	28.08. Mickenbecker
norm	
d-old	
CONEC [®]	

scale:	2:1 (5:1)	
material:	SEE NOTES	
title:	D-SUB COMBINATION FEMALE 5W5S WITHOUT CONTACTS	
dwg no:	AutoCAD 2000	DIN-A
	13K1A692	3
		sh:1/1
part no:	3005W5SXX99A30X	