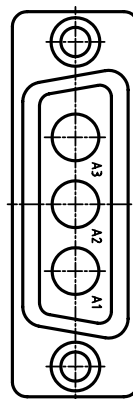
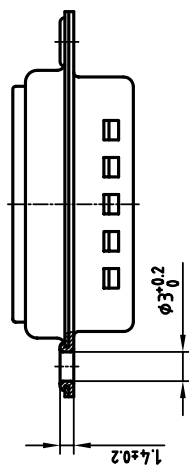
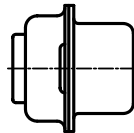
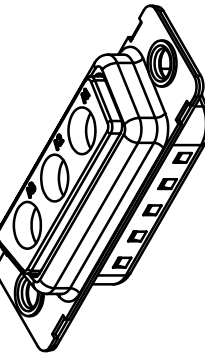
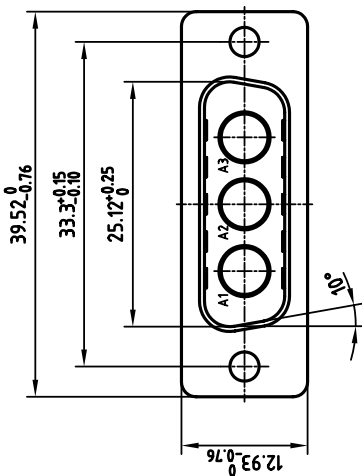
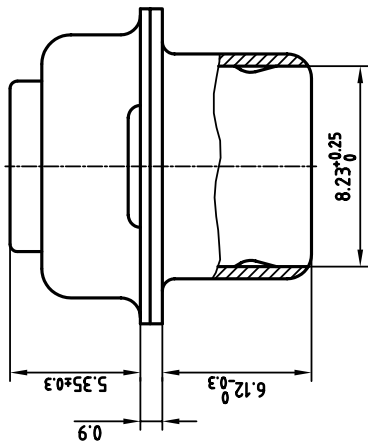


used for: D-SUB COMBINATION

5:1



NOTES:

- 1. METAL SHELLS: STEEL, TIN PLATED
- 2. INSULATOR: PBT GF, UL 94 V-0; GREEN

THIS DRAWING MAY NOT BE COPIED OR REPRODUCED IN ANY WAY, AND MAY NOT BE PASSED ON TO A THIRD PARTY WITHOUT WRITTEN PERMISSION.
OWNERSHIP AND COPYRIGHT OF CONEC GMBH DO NOT ALTER CAD DRAWING BY HAND

tolerance	2000	date	name
	drawn	02.03.	E. Mickenbecker
	appd.	02.03.	A. Mickenbecker
	norm		
	e-old		

rev.	description	date	name

scale:	2:1 (5:1)
material:	SEE NOTES
title:	D-SUB COMBINATION MALE
	3W3P
	WITHOUT CONTACTS
dwg no:	13K2119A
	CAD/ REL:14
	DIN-A
	3
	sh:2/2
product no:	3003W3PXX99A10X

