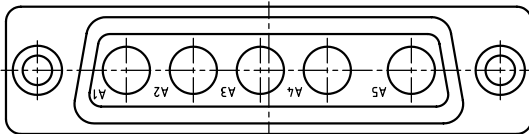
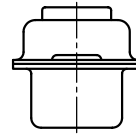
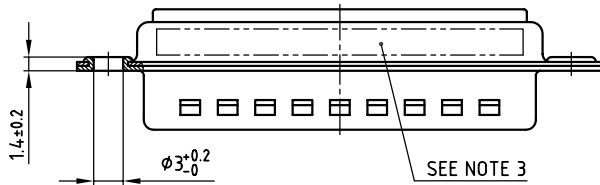
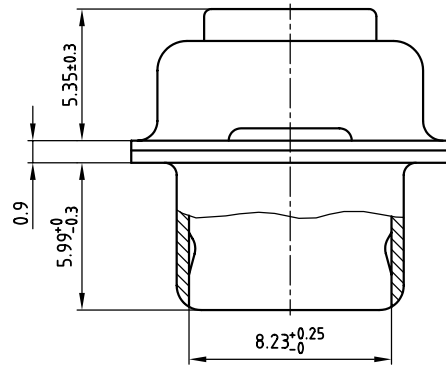
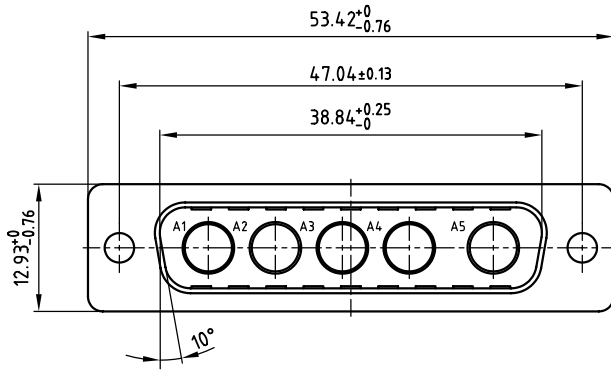


used for: D-SUB COMBINATION

5:1



NOTES:

- 1. METALSHELLS: STEEL; TIN PLATED
- 2. INSULATOR: PBT GF, UL 94 V-0; GREEN
- 3. CONNECTOR IS PART MARKED: **PART NO. CONEC ABC**

Directive 2002/95/EC  
"RoHS"  
Compliant

THIS DRAWING MAY NOT BE COPIED OR  
REPRODUCED IN ANY WAY, AND MAY NOT  
BE PASSED ON TO A THIRD PARTY WITHOUT  
WRITTEN PERMISSION  
OWNERSHIP AND COPYRIGHT OF CONEC GmbH  
DO NOT ALTER CAD DRAWING BY HAND

rev.	description	date	name

1998	date	name
drawn	09.11.	Barcinski
appd.	09.11.	Mickenbecker
norm		
d-old		



tolerance		scale: 2:1 (5:1)
		material: SEE NOTES
title: D-SUB COMBINATION MALE 5W5P WITHOUT CONTACTS		
dwg no: AutoCAD/REL.13 DIN-A		3
part no: 3005W5PXX99A10X		sh: 1/1