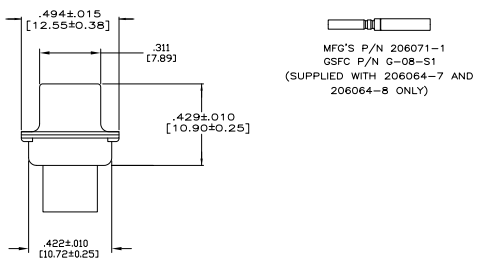
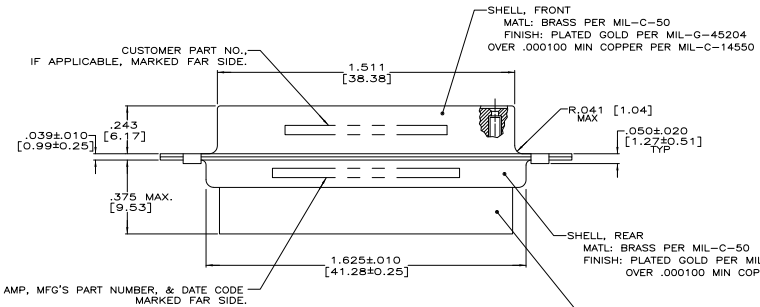
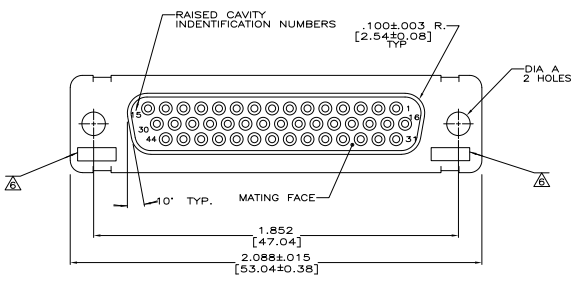


- THIS RECEPTACLE WILL MATE WITH ANY PLUG CONNECTOR WITH THE SAME INSERT ARRANGEMENT AS DEFINED BY MS18275-2.
  - MAXIMUM WIRE INSULATION USED WITH THIS RCPT. IS .054 (1.37) DIA.
  - Be-Cu RETENTION CLIPS ARE INCLUDED IN INSERTS.
- INSPECTION REQUIREMENTS PER R4383.
- CONNECTOR SUPPLIED WITH 49 CONTACTS, MFG'S PART NUMBER 206071-1. INSPECTION REQUIREMENTS PER R4383 WITHOUT TESTS FOR HIGH ALTITUDE DIELECTRIC WITHSTANDING VOLTAGE AS CALLED FOR IN TABLE II SCREENING AND TESTING.
- UL/CSA DESIGNATION MARKED IN THIS AREA, OPTIONAL.
- SPECIAL TESTING PER GE DOCUMENT 20025720. CONNECTOR SUPPLIED WITH 54 CONTACTS, MFG'S P/N 206071-1.
- RESTRICTED TO CAE ELECTRONICS ONLY.
- THESE CONNECTORS ARE QUALIFIED TO GODDARD SPACE FLIGHT CENTER SPECIFICATION S-311-P-4.



MFG'S P/N 206071-1  
 GSFC P/N G-08-51  
 (SUPPLIED WITH 206064-7 AND 206064-8 ONLY)

INSERT ASSEMBLY  
 MATL: POLYPHENYLENE SULFIDE (PPS) GST-40F PER MIL-M-24519 OR GLASS FILLED POLYESTER, TPES013G30 PER ASTM D5927

△	.120 [3.05]	570566-3	1-206064-0	1-206064-0
△	.120 [3.05]	311P407-3S-B-12	206064-4	206064-9
△	.120 [3.05]	20025720P1044S	206064-8	206064-8
△	.120 [3.05]	R4383P44S	206064-7	206064-7
△	.120 [3.05]	---	206064-6	206064-6
△	.120 [3.05]	R4383P44S-2	206064-5	206064-5
△	.120 [3.05]	311P407-3S-B-12	206064-4	206064-4
△	.154 [3.91]	---	206064-3	206064-3
△	.154 [3.91]	311P407-3S-B-15	206064-2	206064-2
△	.120 [3.05]	R9259P44S	206064-1	206064-1

REMARKS	DIA A	CUSTOMER P/N ON CONNECTOR	AMP P/N ON CONNECTOR	MFG'S P/N

THIS DRAWING IS A CONTROLLED DOCUMENT. TYSO ELECTRONICS CORPORATION, Harrisburg, PA 17105-3808.

DESIGNED BY: J. MILLER, DATE: 02/07/91, REV: 01

CHECKED BY: D. MILLER, DATE: 02/07/91, REV: 01

APPROVED BY: J. MILLER, DATE: 02/07/91, REV: 01

DESCRIPTION: AMP/LIMITE NONMAGNETIC RCPT ASSY, SERIES 90, SHELL SIZE 3, 44 PDSN

SIZE: ONE ONLY, DRAWING NO: A100779, G=206064

REWORKED TO: ---

DATE: 02/07/91, BY: J. MILLER, REV: 01