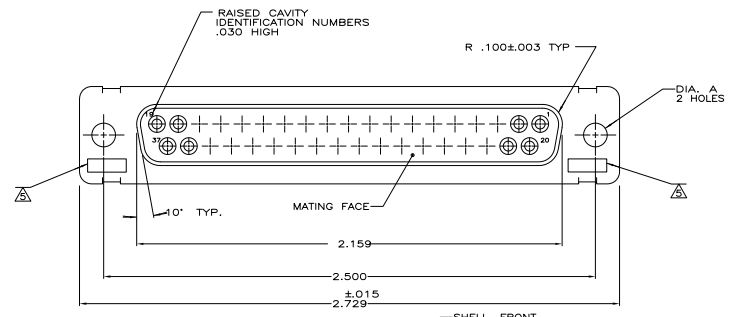
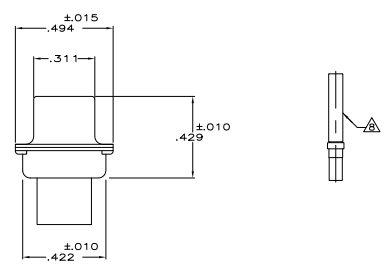
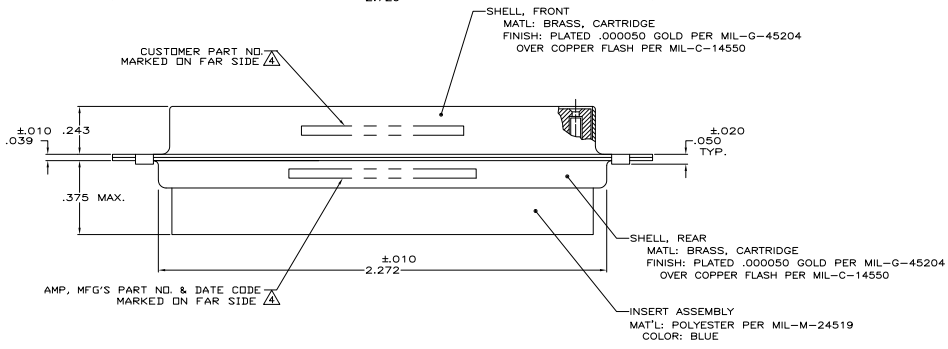


REV	DATE	DESCRIPTION	BY	APP
1				
2				
3				
4				
5				
6				
7				
8				



1. THIS RECEPTACLE WILL MATE WITH ANY PLUG CONNECTOR WITH THE SAME INSERT ARRANGEMENT AS DEFINED BY MS18276-1.
  2. MAXIMUM WIRE INSULATION USED WITH THIS RCPT. IS .072 DIA. MAX.
  3. Be-Cu RETENTION CLIPS ARE INCLUDED IN INSERTS.
- ▲ FAR SIDE REFERS TO WIDE SIDE OF KEYSTONE.
  - ▲ UL/CSA DESIGNATION STAMPED IN THIS AREA, OPTIONAL.
  - ▲ RESTRICTED TO CAE ELECTRONICS ONLY.
  - ▲ THESE CONNECTORS ARE QUALIFIED TO GODDARD SPACE FLIGHT CENTER SPECIFICATION S-311-P-4.
  - ▲ CONNECTOR SUPPLIED WITH CONTACTS, AMP PART NUMBER 206793-1J (NOT INSTALLED).



▲	.120	570513-4	206803-9
▲	.120	LMSC 1621480-004	206803-8
▲	.120	LMSC 1621480-004	206803-7
▲	.120	311P409-4S-B-12	206803-6
▲	.120	2A014-009V-001	206803-4
▲	.154		206803-3
▲	.120	311P409-4S-B-12	206803-2
▲	.154	311P409-4S-B-15	206803-1

REMARKS DIA A INK STAMPED INK STAMPED  
CUSTOMER P/N CUSTOMER P/N

THIS DRAWING IS A CONTROLLED DOCUMENT. DATE 1-3-88 BY J. CLOUSER  
DATE 1-24-88 BY J. CANTLIN

RECEIPTACLE FOR SOCKET CONTACT, H-DENSITY HDM CONNECTOR, SIZE 4, 37 POS. (NON-MAGNETIC)

SIZE A1 007793 206803

CUSTOMER DRAWING DATE 4-1 SHEET 1 OF 1