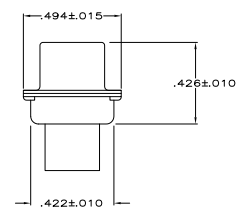
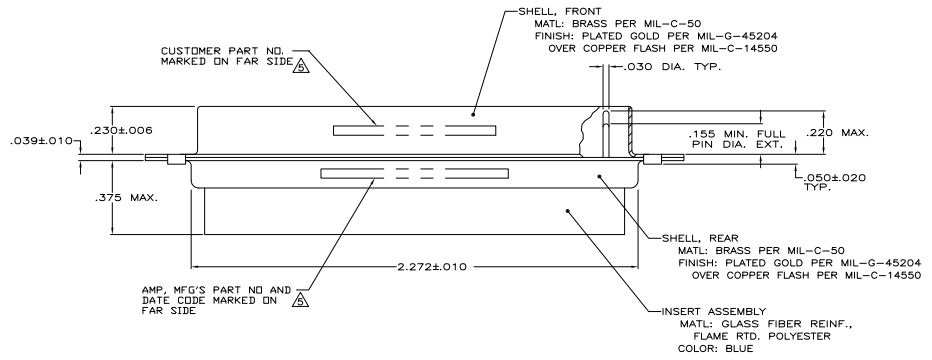
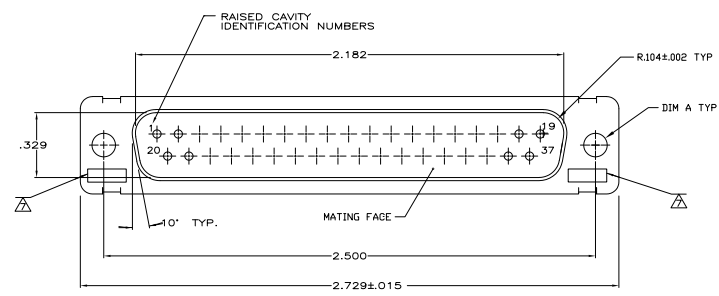


REV	DATE	DESCRIPTION	BY	APP'D
1				
2				
3				
4				
5				
6				
7				
8				
9				
10				
11				
12				
13				
14				
15				
16				
17				
18				
19				
20				
21				
22				
23				
24				
25				
26				
27				
28				
29				
30				
31				
32				
33				
34				
35				
36				
37				
38				
39				
40				
41				
42				
43				
44				
45				
46				
47				
48				
49				
50				
51				
52				
53				
54				
55				
56				
57				
58				
59				
60				
61				
62				
63				
64				
65				
66				
67				
68				
69				
70				
71				
72				
73				
74				
75				
76				
77				
78				
79				
80				
81				
82				
83				
84				
85				
86				
87				
88				
89				
90				
91				
92				
93				
94				
95				
96				
97				
98				
99				
100				



- △ THIS PLUG WILL MATE WITH ANY RECEPTACLE CONNECTOR WITH THE SAME INSERT ARRANGEMENT AS DEFINED BY MS18275-1.
- 2. MAXIMUM WIRE INSULATION TO BE USED WITH THIS PLUG IS .072 DIA.
- 3. BERYLLIUM COPPER RETENTION CLIPS (37) ARE INCLUDED IN INSERT ASSEMBLY.
- 4. CONNECTOR SUPPLIED WITHOUT CONTACTS; SHOWN FOR ILLUSTRATION ONLY.
- △ FAR SIDE REFERS TO WIDE SIDE OF KEYSTONE.
- △ THESE CONNECTORS ARE QUALIFIED TO GODDARD SPACE FLIGHT CENTER SPECIFICATION S-311P-4.
- △ UL/CSA DESIGNATION STAMPED IN THIS AREA, OPTIONAL.
- △ RESTRICTED TO CAE ELECTRONICS ONLY.

REMARKS	DIA A	MARKED CUSTOMER P/N	MARKED AMP P/N	MARKED AMP P/N
OBSELETE	.120	570513-9	206802-6	206802-6
	.120	311P409-4P-B-12	206802-2	206802-5
	.120	122137P37P	206802-4	206802-4
	.154	-	206802-3	206802-3
	.120	311P409-4P-B-12	206802-2	206802-2
	.154	311P409-4P-B-15	206802-1	206802-1

THIS DRAWING IS A CONTROLLED DOCUMENT. 12-3-88

CAE Electronics
 Harrisburg, PA 17105-3608

PLUG FOR PIN CONTACTS
 HI-DENSITY, HDM CONNECTOR,
 SIZE A (37 POSITION)

SIZE: A1 00779 (C)=206802

CUSTOMER DRAWING