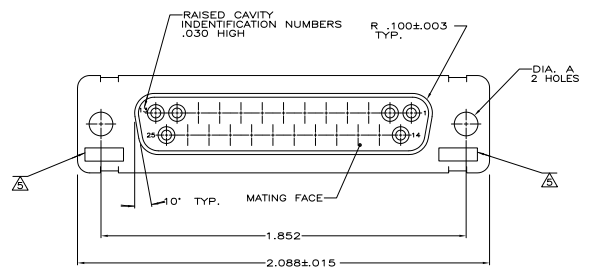
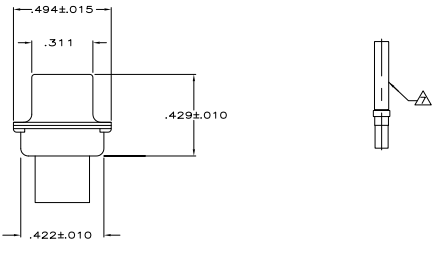
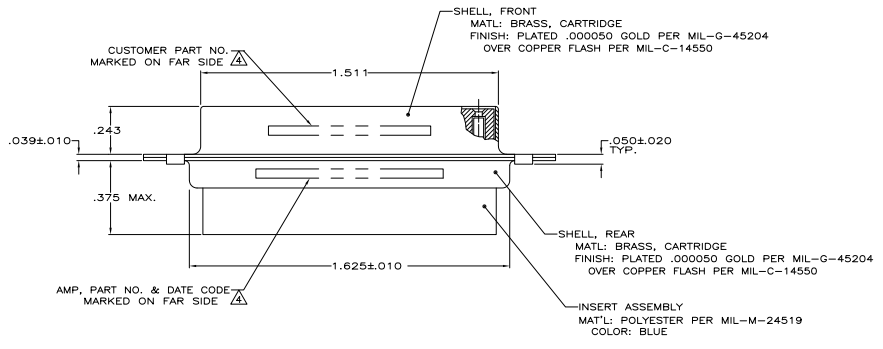


REV	DATE	DESCRIPTION	BY	APP
1				
2				
3				
4				
5				
6				
7				
8				



1. THIS RECEPTACLE WILL MATE WITH ANY PLUG CONNECTOR WITH THE SAME INSERT ARRANGEMENT AS DEFINED BY MS18275-1.
 2. MAXIMUM WIRE INSULATION USED WITH THIS RCPT. IS .072 DIA. MAX.
 3. Be-Cu RETENTION CLIPS ARE INCLUDED IN INSERTS.
- ▲ FAR SIDE REFERS TO WIDE SIDE OF KEYSTONE.
 - ▲ UL/CSA DESIGNATION STAMPED IN THIS AREA, OPTIONAL
 - ▲ THESE CONNECTORS ARE QUALIFIED TO GODDARD SPACE FLIGHT CENTER SPECIFICATION S-311-P-4.
 - ▲ CONNECTOR SUPPLIED WITH CONTACTS, AMP PART NUMBER 206793-1; (NOT INSTALLED).



▲	.120	LMSC 1621480-003	206801-8
▲	.120	LMSC 1621480-003	206801-7
▲	.120	2A014-00BV-001	206801-4
▲	.154		206801-3
▲	.120	311P409-3S-B-12	206801-2
▲	.154	311P409-3S-B-15	206801-1
REMARKS	DIA A	MARK	AMP P/N
		CUSTOMER P/N	

THIS DRAWING IS A CONTROLLED DOCUMENT. M. CLOUSER 1-3-88
 J. DANLON 1-24-87

THIS DRAWING IS UNPUBLISHED
 REPRODUCED FOR INFORMATION
 © 2008 Tyco Electronics Corporation ALL INFORMATION IS UNCLASSIFIED

RECEPTACLE FOR SOCKET CONTACTS,
 HI-DENSITY HCM CONNECTOR
 SIZE #3, 25 POS. (NON-MAGNETIC)

SIZE: A1 00779 (C) 206801
 DATE: 12-16-08
 DRAWING NO: 206801
 SHEET: 4.1 OF 1