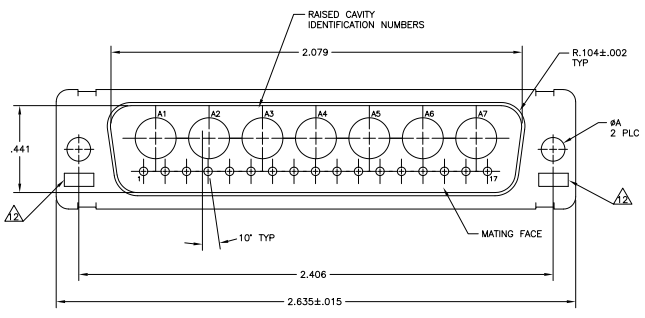
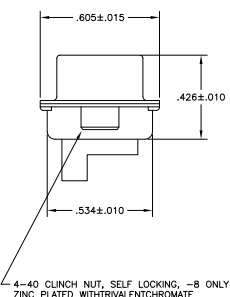
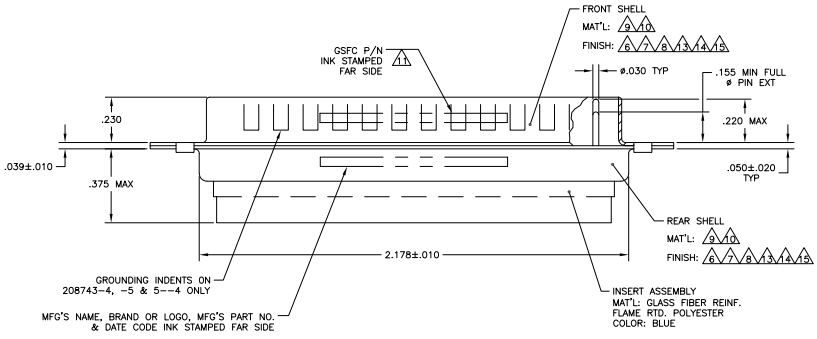


REV	DATE	DESCRIPTION	BY	CHK	APP
DF	DO				
F		REVISED PER ECO-09-013277			



- THIS PLUG WILL MATE WITH ANY 24C7, SIZE 5 RECEPTACLE IN AMPLIMITE SERIES.
 - MAXIMUM WIRE INSULATION TO BE USED WITH THIS PLUG IS #06B.
 - THIS CONNECTOR ACCEPTS (7) POWER, B, OR COAX PIN CONTACTS IN POSITIONS A1 THRU A7, PURCHASED SEPARATELY.
 - THIS CONNECTOR ACCEPTS SIZE 20 PIN SIGNAL CONTACTS IN POSITIONS 1 THRU 17.
 - INSERTION/EXTRACTION TOOL USED FOR SIZE 20 PIN SIGNAL CONTACTS IS 91067-2.
- △ FINISH: CADMIUM PLATED PER QQ-P-416.
 - △ FINISH: TIN PER ASTM-B-545, .000200 MIN THK OVER COPPER PER AMS2418, .000100-.000200 THK.
 - △ FINISH: GOLD PLATED PER MIL-C-45204 TYPE II, GRADE C, CLASS 1 OVER COPPER PER MIL-C-14550, CLASS IV.
 - △ STEEL PER ASTM-A-109.
 - △ BRASS PER MIL-C-50 AND ASTM-B-36 UNS NO. C26000.
 - △ INK STAMP WESTINGHOUSE PART NO: 97942-645A9356H04, FAR SIDE.
 - △ UL/CSA DESIGNATION STAMPED IN THIS AREA.
 - △ FINISH: TIN PER ASTM-B-545, .000200 MIN THK OVER COPPER PER AMS2418, .000100-.000200 THK.
 - △ FINISH: BRIGHT TIN PER ASTM-B-545, .000400-.000550 THK OVER COPPER PER AMS2418, .000050 MIN THK.
 - △ FINISH: ZINC PLATE PER ASTM-B-633, .000200-.000400 THK WITH SUPPLEMENTARY CHROMATE (Cr3+)



△	△	.120	-	5-208743-4
△	△	.120	-	5-208743-1
△	△	-	-	208743-8
△	△	.120	-	208743-7
△	△	.154	311P405-22S-B-15	208743-6
△	△	.120	-	208743-5
△	△	.120	-	208743-4
△	△	.120	-	208743-3
△	△	.120	311P405-22S-B-12	208743-2
△	△	.120	-	208743-1

THIS DRAWING IS A CONTROLLED DOCUMENT. TYS Electronics Corporation, Harrisburg, PA 17105-3608

DATE: 07-20-08
 DRAWN BY: JAC
 CHECKED BY: JAC
 APPROVED BY: JAC

PLUG ASSEMBLY
 AMPLIMITE 24C7
 SIZE 5, COAX MIX

SIZE: 00778
 DRAWING NO: 208743

CUSTOMER DRAWING