

4

3

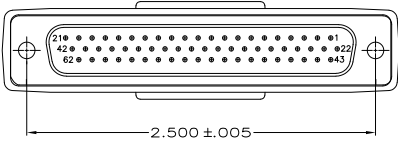
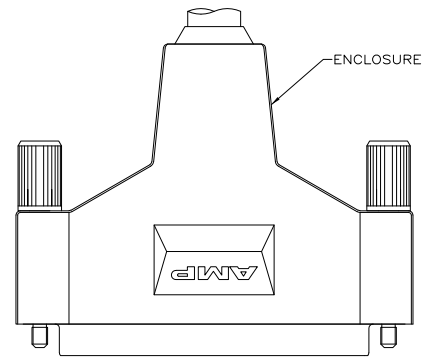
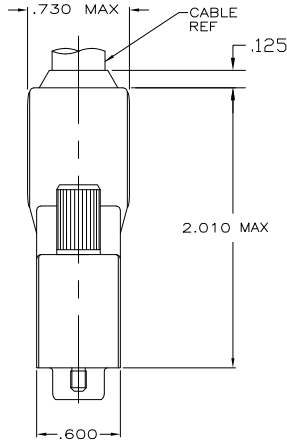
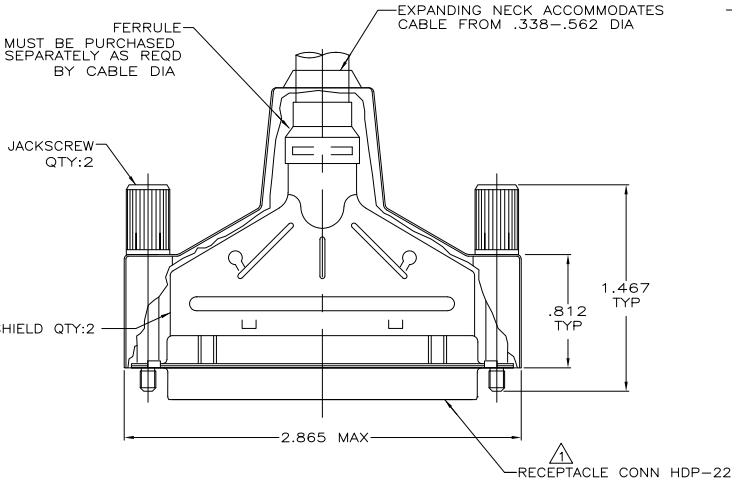
2

1

THIS DRAWING IS UNPUBLISHED. RELEASED FOR PUBLICATION  
 © COPYRIGHT - By - ALL RIGHTS RESERVED.

LOC		DIBT		REVISIONS			
P	LR	DESCRIPTION	DATE	BY	APPD		
GP	00						
	A1	REVISED PER ECO-11-004835	11MAR11	RK	HMR		

- ⚠ RECEPTACLE ACCEPTS SIZE 22 DF SOCKET CONTACTS. CONTACTS MUST BE PURCHASED SEPARATELY.
- 2. ALL PARTS SHIPPED UNASSEMBLED.
- 3. COMPONENTS INDIVIDUALLY BULK PACKAGED.
- ⚠ ENCLOSURE: ELASTOMER, STYRENE POLYOLEFIN OR PVC, COLOR BLACK. INSERTS: FLAME RETARDANT GLASS FILLED, 94V-0 RATED, COLOR BLACK. SHELLS & SHIELDS: CARBON STEEL PER ASTM A109. JACKSCREWS: ZINC ALLOY.
- ⚠ SHELLS & SHIELDS: .000200 MIN TIN PLATE OVER .000100 MIN COPPER UNDERPLATE. JACKSCREWS: ZINC PHOSPHATE COATING, BLACK.



5748642-1  
PART NUMBER

THIS DRAWING IS A CONTROLLED DOCUMENT.		DWG: VABELA - 12-21-04 OK: DOCKES - 12-21-04 J: GERACE M. WALMSLEY NAME: M. WALMSLEY 12-21-04 PRODUCT SPEC: 108-40005 & 108-40030 APPLICATION SPEC: 114-40030 WEIGHT: - CUSTOMER DRAWING	<b>TE</b> TE Connectivity SHIELDING ENCLOSURE KIT, RECEPTACLE, SIZE 4, 62 POSITION, AMPLIMITE, HDP-22	SIZE: A2 CAGE CODE: 00779 DRAWING NO: C=5748642	RESTRICTED TO: - SCALE: 2:1 SHEET: 1 of 1 REV: A1
--	--	---	---	---	--

1471-9 (3/11)