

4

3

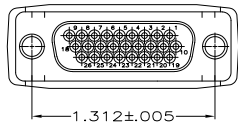
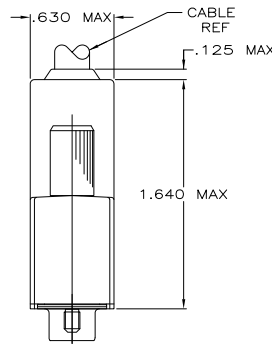
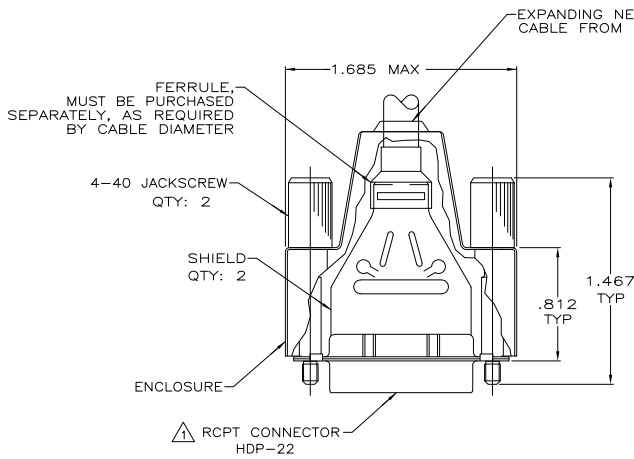
2

1

THIS DRAWING IS UNPUBLISHED. RELEASED FOR PUBLICATION  
 © COPYRIGHT BY TYCO ELECTRONICS CORPORATION. ALL RIGHTS RESERVED.

LOC	DIST	REVISIONS				
GP	00	P	LR	DATE	BY	APPD
		A		REVISED PER ECO-08-003213	05FEB08	BM CR

- 1 RECEPTACLE ACCEPTS SIZE 22 DF SOCKET CONTACTS. CONTACTS MUST BE PURCHASED SEPARATELY.
- 2. ALL PARTS SHIPPED UNASSEMBLED.
- 3 MATERIAL:  
ENCLOSURE: FLAME RETARDANT 94V-0 RATED, STYRENE POLYOLEFIN OR PVC, BLACK.
- 4 MATERIAL:  
INSERTS: FLAME RETARDANT 94V-0 RATED, GLASS FILLED NYLON OR POLYESTER, BLACK.
- 5 MATERIAL:  
SHIELD & SHELL: STEEL PER ASTM A109.
- 6 FINISH:  
SHIELD & SHELL: TIN PLATING PER MIL-T-10727.
- 7 FINISH:  
SCREWLOCK: ZINC PHOSPHATE COATING, BLACK.
- 8 COMPONENTS INDIVIDUALLY BULK PACKED.
- 9 MATERIAL:  
SCREWLOCK: ZINC ALLOY.



1658689-1
PACKAGING PART NUMBER

THIS DRAWING IS A CONTROLLED DOCUMENT.		DN J. POLIGNONE 13AU007	Tyco Electronics Corporation	
DIMENSIONS: INCHES		CHK C. ROHDE 13AU007	Harrisburg, PA 17105-3608	
TOLERANCES UNLESS OTHERWISE SPECIFIED:		APP C. ROHDE 13AU007	SHIELDING ENCLOSURE KIT, RCPT, SIZE 2, 26 POSN, HDP-22, AMPLIMITE	
Ø PLC ± .005	1 PLC ± .005	APPL PRODUCT SPEC	SIZE A2	CAGE CODE 00779
2 PLC ± .005	3 PLC ± .005	APPLICATION SPEC	DRAWING NO C=1658689	RESTRICTED TO
4 PLC ± .005	ANGLES ± .005	WEIGHT	SCALE 2:1	SHEET 1 of 1
MATERIAL FINISH		CUSTOMER DRAWING	REV A	

AMP 1471-9 REV 31MM2000

1658689

A