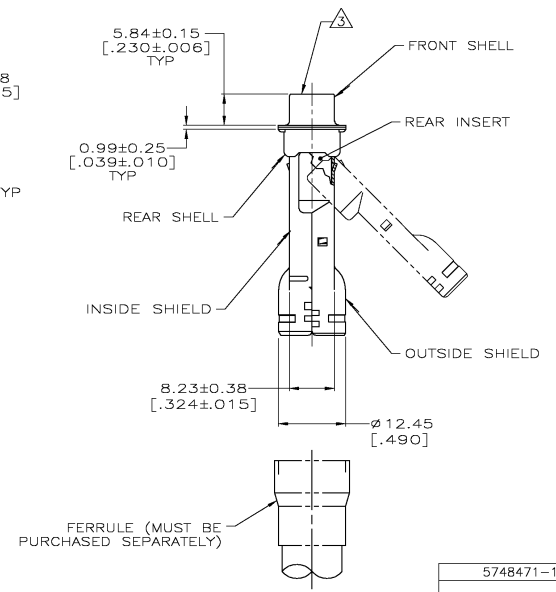
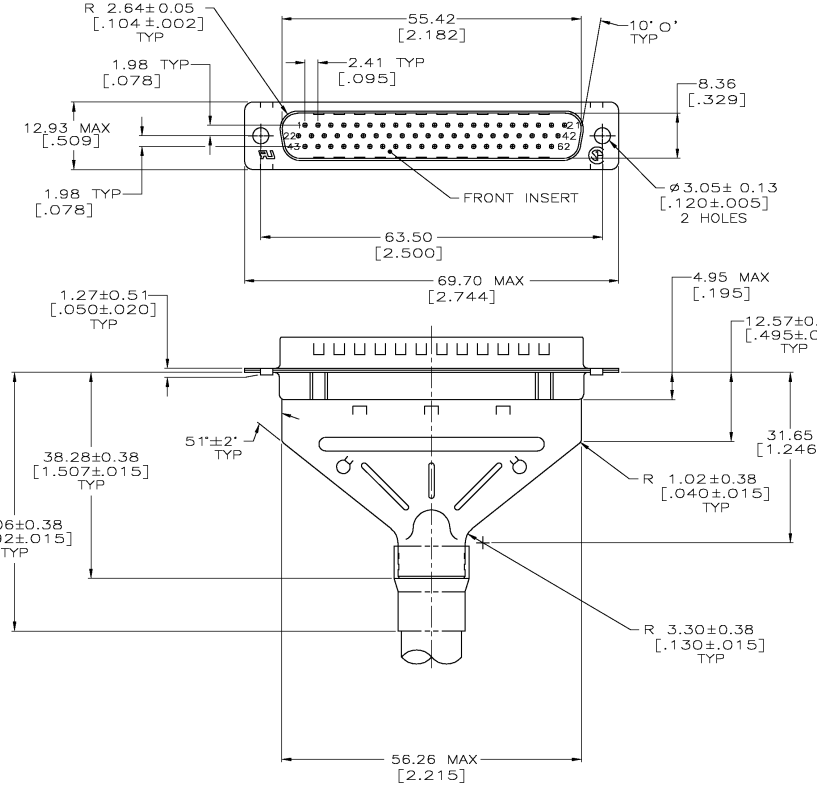


THIS DRAWING IS UNPUBLISHED.
 RELEASED FOR PUBLICATION
 BY TFCO ELECTRONICS CORPORATION. ALL RIGHTS RESERVED.

| REV | DATE | DESCRIPTION | BY | APPV |
|-----|----------|------------------------------|----|------|
| 0 | 11-10-04 | RELEASED PER EC 0513-0257-04 | GA | JG |



- △ INSERTS: NYLON, BLACK, UL 94V-0 RATED.
- SHELLS & SHIELDS: CARBON STEEL PER ASTM A109.
- △ SHELLS & SHIELDS: 5.08µm [.000200] MIN TIN OVER
2.54µm [.000100] MIN COPPER.
- △ PLUG ACCEPTS SIZE 22 PIN CONTACTS. (CONTACTS MUST BE PURCHASED SEPARATELY).

| | | | |
|--|--|--|--|
| THIS DRAWING IS A CONTROLLED DOCUMENT. | | DWG: G. ATADIA - DOCKS DWG: J. GERACE DWG: M. WALMSLEY DATE: 11-10-04 | Tyco Electronics Corporation Harrisburg, PA 17105-3608 |
| DIMENSIONS: mm [inches] | TOLERANCES UNLESS OTHERWISE SPECIFIED: Ø PUC # - PUC # 0.13 (.005) PUC # - PUC # - ANGLES # # # ° | PART NUMBER 5748471-1 | PLUG KIT, UNASSEMBLED, SHIELDING HARDWARE, SIZE 4, 62 POSN, HDP-22, AMPLIMITE |
| MATERIAL: △ | FINISH: △ | WEIGHT: - CUSTOMER DRAWING | SIZE: A2 CAGE CODE: 00779 DRAWING NO: 5748471 SCALE: 2:1 SHEET: 1 OF 1 REV: Q |

AMP 1471-9 REV 31MAR2000

5748471