

4

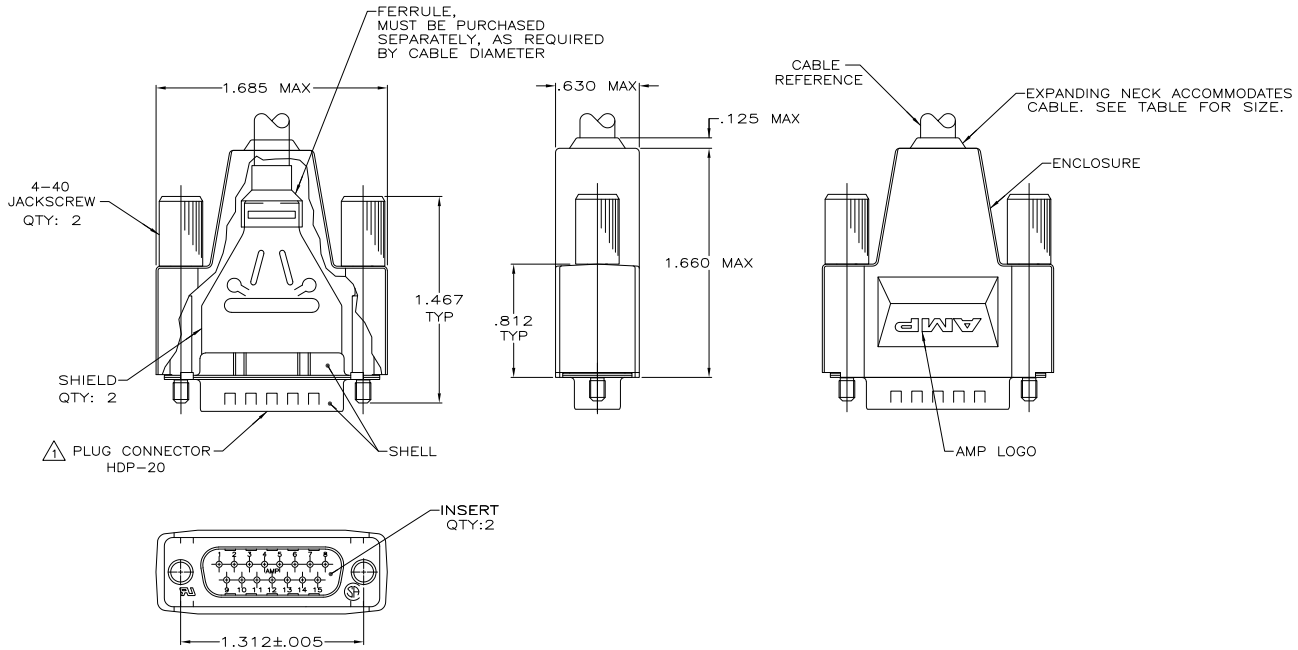
3

2

1

THIS DRAWING IS UNPUBLISHED. RELEASED FOR PUBLICATION. ALL RIGHTS RESERVED.

LOC		DIBT		REVISIONS		
P	LTR	DESCRIPTION	DATE	BY	APPD	
GP	00					
P		REVISED PER ECO-11-004835	11MAR11	RK	HMR	



- ⚠️ PLUG ACCEPTS SIZE 20 DF PIN CONTACTS. CONTACTS MUST BE PURCHASED SEPARATELY.
- 2. ALL PARTS SHIPPED UNASSEMBLED.
- ⚠️ FLAME RETARDANT 94V-0 RATED, STYRENE POLYOLEFIN OR PVC, COLOR: BLACK.
- ⚠️ FLAME RETARDANT 94V-0 RATED, GLASS FILLED NYLON OR POLYESTER, COLOR: BLACK.
- ⚠️ STEEL PER ASTM A109.
- ⚠️ .000200 MIN TIN PLATE OVER .000100 MIN COPPER UNDERPLATE.
- ⚠️ COMPONENTS INDIVIDUALLY BULK PACKED.
- ⚠️ ZINC ALLOY.
- ⚠️ ZINC PHOSPHATE COATING, BLACK.

.190-.375 DIA	⚠️	⚠️	⚠️	⚠️	YES	1658657-1
CABLE SIZE	PACKAGING	JACKSCREWS FINISH	JACKSCREWS MATERIAL	WITH LOGO	PART NO	

THIS DRAWING IS A CONTROLLED DOCUMENT.		DATE	31.JUL.03	TE Connectivity	
DRAWN BY: J. BEITZEL		DATE	31.JUL.03		
CHECKED BY: S. BOLASH		DATE	31.JUL.03		
DESIGNED BY: M. WALMSLEY		NAME	KIT, PLUG, SHIELDING ENCLOSURE, SIZE 2, 15 POSN, AMPLIMITE™ HDP-20		
PRODUCT SPEC: 108-40030		APPLICATION SPEC: 114-40030	SIZE	CAGE CODE	DRAWING NO
MATERIAL: ENCL/SH/SHLDS: JACKSCREWS: SEE TABLE		FINISH: SHELLS & SHIELDS: ⚠️	RIGHT: A2	00779	C=1658657
RESTRICTED TO: CUSTOMER DRAWING		SCALE: 2:1	SHEET: 1 of 1	REV: P	