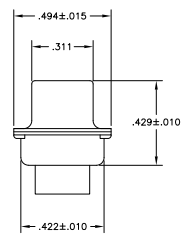
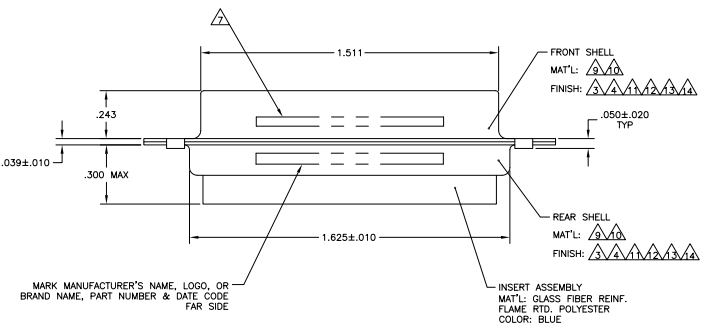
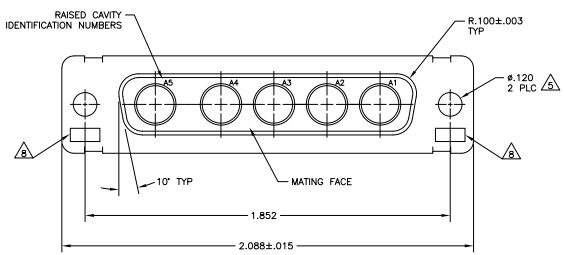


THIS DRAWING IS UNPUBLISHED  
 © 2008 EPCOR, INC. ALL RIGHTS RESERVED

REV	DATE	DESCRIPTION	BY	CHK	APP
1					
2					
3					
4					
5					
6					
7					
8					



CLINCH NUT #4-40UNC  
 2 REQ'D  
 MAT'L: CARBON STEEL  
 FINISH: PLATED ZINC  
 YELLOW CHROMATE  
 212059-5 ONLY

1. THIS RECEPTACLE WILL MATE WITH ANY 5CS, SIZE 3 PLUG IN AMPLIMITE SERIES.
  2. USE (S) POWER 8, OR COAX SOCKET CONTACTS. CONSULT PRODUCT ENGINEERING FOR MORE DETAILS.
- ▲ CADMIUM PER QQ-P-416.
  - ▲ FINISH: TIN PER ASTM-B-545 .000200 MIN THK OVER COPPER PER AMS2418 .000100-.000200 THK.
  - ▲ ALL EXCEPT FOR 212059-5 AND 212059-6.
  - ▲ 4-40 UNC-3B CLINCH NUT, 2 REQ'D.
  - ▲ CUSTOMER PART NO. INK STAMPED FAR SIDE.
  - ▲ UL/CSA DESIGNATION STAMPED IN THIS AREA, OPTIONAL.
  - ▲ STEEL PER ASTM-A-109.
  - ▲ BRASS PER ASTM-B-36.
  - ▲ GOLD PLATED PER MIL-C-45204 OVER COPPER PER AMS2418.
  - ▲ FINISH: BRIGHT TIN PER ASTM-B-545 .000400-.000550 THK OVER COPPER PER AMS2418 .000050 MIN THK.
  - ▲ FINISH: TIN PER ASTM-B-545 .000200 MIN THK OVER COPPER PER AMS2418 .000100-.000200 THK.
  - ▲ ZINC PLATE PER ASTM-B-633 .000200-.000400 THK WITH SUPPLEMENTARY CHROMATE (Cr3+)

CUSTOMER PART NO.	REMARKS	PART NO.
	▲▲▲▲▲	5-212059-5
	▲▲▲▲	5-212059-1
B010942-000B	▲▲▲▲	1-212059-3
B010942-0007	▲▲▲▲	1-212059-1
	▲▲▲▲	1-212059-0
	▲▲▲▲	212059-9
	▲▲▲▲	212059-8
B010942-0016	▲▲▲▲	212059-7
311P405-10S-B-15	▲▲▲▲	212059-6
	▲▲▲▲	212059-5
97942-645A935H01	▲▲▲▲	212059-4
	▲▲▲▲	212059-3
311P405-10S-B-12	▲▲▲▲	212059-2
	▲▲▲▲	212059-1

THIS DRAWING IS A CONTROLLED DOCUMENT.

DESIGNED BY	DATE	REVISED BY	DATE
APPROVED BY	DATE	REVISED BY	DATE

TE Connectivity  
 RECEPTACLE ASSEMBLY  
 AMPLIMITE 5CS  
 SERIES 10S, SIZE 3, COAX MIX

SIZE: 10S, SIZE 3, COAX MIX  
 DATE: 10/07/09  
 DRAWING NO: 212059  
 CUSTOMER DRAWING