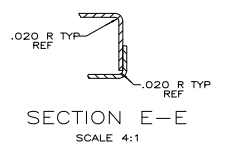
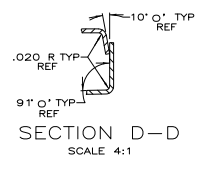
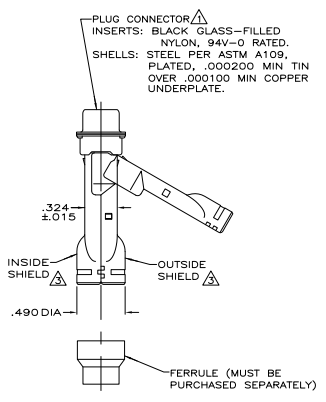
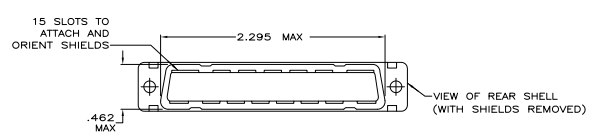
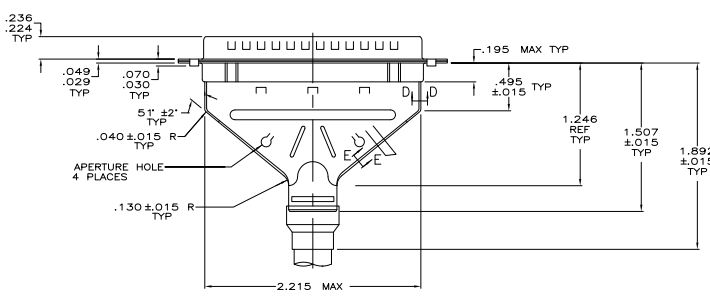
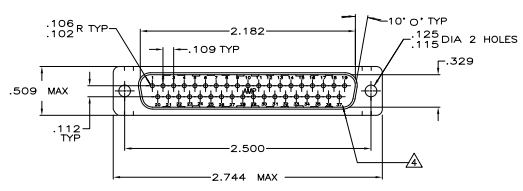


THIS DRAWING IS UNAPPROVED FOR PUBLICATION
 © 1988 BY TRO ELECTRONICS CORPORATION ALL DIMENSIONS SHOWN REFER TO

REV	DATE	DESCRIPTION	BY	CHK	APP
00					
A		REVISED PER ECO-08-031834			19AUG2009/ZMR/DWR



- △ PLUG ACCEPTS SIZE 20 PIN CONTACTS (CONTACTS MUST BE ORDERED SEPARATELY).
- 2. ALL PARTS SHIPPED UNASSEMBLED, EACH PART INDIVIDUALLY BULK PACKED.
- △ SHIELDS: MATERIAL—.020 THICK STEEL, PER ASTM A109, PLATED .000200 MIN TIN OVER .000100 MIN COPPER UNDERPLATE.
- △ RAISED CAVITY IDENTIFICATION AND AMP TRADEMARK.

1658650-1
 PART NUMBER

THIS DRAWING IS A CONTROLLED DOCUMENT.		BY: MEITZEL	DATE: 11/11/88	BY: TRO	DATE: 11/11/88
DRAWING NO: 108-40030		BY: BOLASH	DATE: 11/11/88	BY: TRO	DATE: 11/11/88
REVISIONS:		BY: BELMONT	DATE: 11/11/88	BY: TRO	DATE: 11/11/88
DESCRIPTION: KIT, PLUG, SHIELDING HARDWARE, SIZE 4, 37 POSITION, AMP-LITE™ HDP-20		BY: 114-40030	DATE: 11/11/88	BY: TRO	DATE: 11/11/88
PART NUMBER: 1658650		BY: 100779	DATE: 11/11/88	BY: TRO	DATE: 11/11/88
CUSTOMER DRAWING		BY: 2-1	DATE: 11/11/88	BY: TRO	DATE: 11/11/88