

4

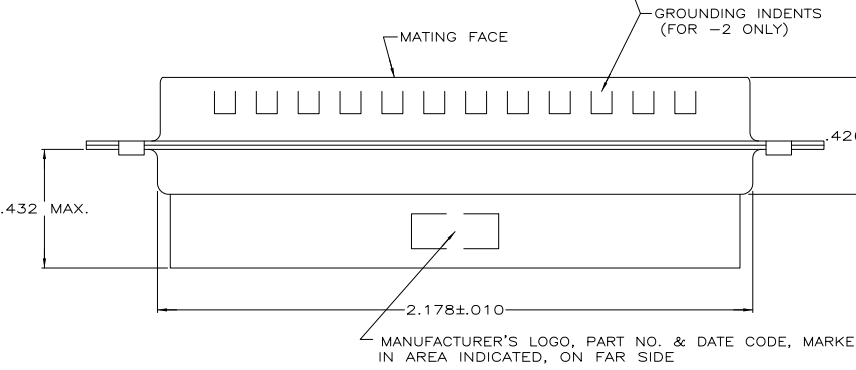
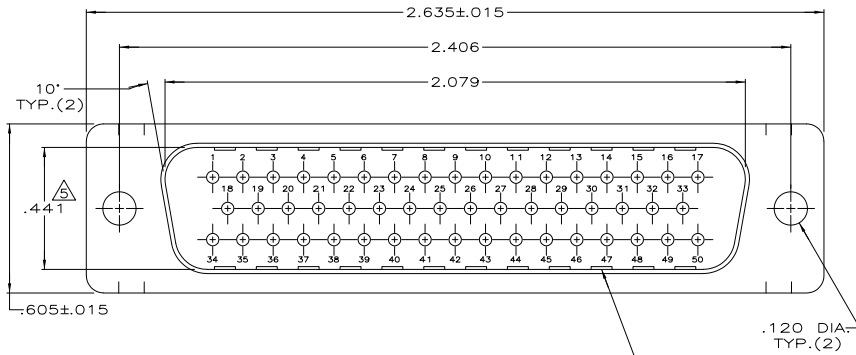
3

2

1

THIS DRAWING IS UNPUBLISHED. RELEASED FOR PUBLICATION. ALL RIGHTS RESERVED.

LOC		DIBT		REVISIONS			
P	LTR	DESCRIPTION	DATE	MIN	APD		
GP	00						
	D	REVISED PER ECO-11-002006	11APR2011			CJV	CWR



- CONNECTOR ACCEPTS SIZE 20 DF PIN CONTACTS, RETENTION TINES ARE AN INTEGRAL PART OF INSERT.
- 2** MATERIAL:  
MOLDED PARTS - FLAME RETARDANT 94V-0 RATED, GLASS FILLED NYLON, BLACK.  
SHELLS - STEEL PER ASTM A109.
- 3** FINISH:  
SHELL - .000200 MIN TIN PLATE OVER .000100 MIN COPPER UNDERPLATE.
- 4** FINISH:  
SHELL - ZINC PLATED .000200-.000400 THICK, YELLOW CHROMATE COATING.
- 5** THIS DIMENSION IS .441±.010 FOR -2.

STANDARD	<b>4</b>	NO	1658641-3
STANDARD	<b>3</b>	YES	1658641-2
STANDARD	<b>3</b>	NO	1658641-1
PACKAGING TYPE	FINISH	GROUNDING INDENTS	PART NO.

THIS DRAWING IS A CONTROLLED DOCUMENT.		DATE	28JUL03	 TE Connectivity
DIMENSIONS:	INCHES	CHK	28JUL03	
MATERIAL:		DATE	28JUL03	
FINISH:		DATE	28JUL03	
MATERIAL:		DATE	28JUL03	 TE Connectivity
FINISH:		DATE	28JUL03	
MATERIAL:		DATE	28JUL03	
FINISH:		DATE	28JUL03	
MATERIAL:		DATE	28JUL03	 TE Connectivity
FINISH:		DATE	28JUL03	
MATERIAL:		DATE	28JUL03	
FINISH:		DATE	28JUL03	