

4

3

2

1

THIS DRAWING IS UNPUBLISHED. RELEASED FOR PUBLICATION
 © COPYRIGHT - BY TYCO ELECTRONICS CORPORATION. ALL RIGHTS RESERVED.

LOC	DIST	REVISIONS			
P	LTR	DESCRIPTION	DATE	DWN	APVD
	K1	ECR-08-003235	16-05-08	AEG	KMA
	M	ECR-09-004273	02-03-09	AEG	KMA
	M1	ECR-10-020025	13JAN11	RK	KMA

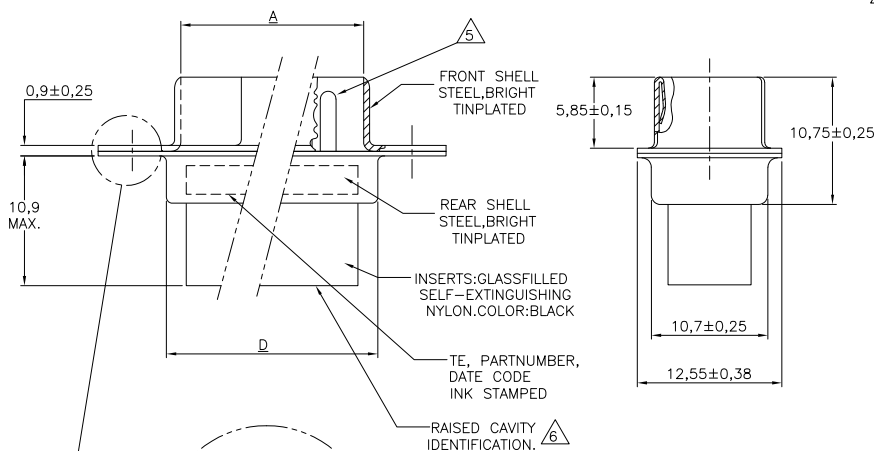
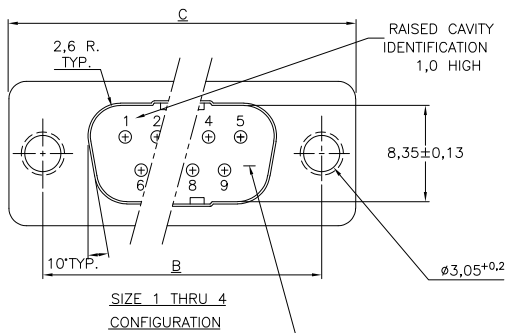
NOTES:

- THIS PLUG ACCEPTS SIZE 20 PIN CONTACTS.
- MAXIMUM WIRE INSULATION RECOMMENDED FOR USE WITH THIS PLUG IS 1,73 DIA. MAX..
- RETENTION TINES ARE AN INTEGRAL PART OF INSERT.
- FOLLOWING INSERTION/REMOVAL TOOLS ARE RECOMMENDED FOR USE WITH THESE CONNECTORS:

32-28AWG/28-24AWG CONT's	24-20AWG CONTACTS
91067-3 INSERTION/REMOVAL	91067-2 INSERTION/REMOVAL
726363-1 INSERTION ONLY	726363-1 INSERTION ONLY
	726364-1 REMOVAL ONLY

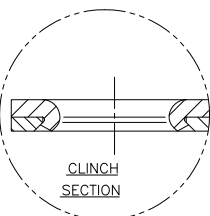
△ CONTACTS SHOWN FOR ILLUSTRATION ONLY, NO PART OF CONNECTOR PACKAGE ;MUST BE ORDERED SEPARATELY.

△ RAISED CAVITY IDENTIFICATION NUMBERS ON WIRE SIDE ARE WHITENED FOR -9 P/N'S.



							OBSOLETE	
55,3	66,9	61,1	52,9	50	5	167296-9	167296-1	
57,7	69,3	63,5	55,4	37	4	167295-9	167295-1	
41,3	53,0	47,0	39,0	25	3	167294-9	167294-1	
27,5	39,1	33,3	25,3	15	2	167293-9	167293-1	
19,3	30,8	25,0	16,9	9	1	167292-9	167292-1	
D ± 0,25	C ± 0,38	B ± 0,13	A ± 0,13	NR. OF POS	SIZE	TE ORDER NUMBER		

FOR DETAILS SIZE 5, SEE SHEET 2.



THIS DRAWING IS A CONTROLLED DOCUMENT.		DWN	20NOV87	Tyco Electronics		Tyco Electronics Corporation 's-Hertogenbosch, Nederland	
DIMENSIONS: mm		CHK	B.MOOIJ	NAME		HDP-20 PLUG CONNECTOR, SIZE 1-4	
TOLERANCES UNLESS OTHERWISE SPECIFIED:		APVD		PRODUCT SPEC		RESTRICTED TO	
0 PLC	±			APPLICATION SPEC			
1 PLC	± 0,2			WEIGHT			
2 PLC	±			SIZE		A3 00779 C-167292	
3 PLC	±			CAGE CODE		DRAWING NO	
4 PLC	±			DRAWING NO		RESTRICTED TO	
ANGLES	± 2°			SCALE		SHEET 1 OF 2	
MATERIAL	FINISH			CUSTOMER DRAWING		REV M1	

4

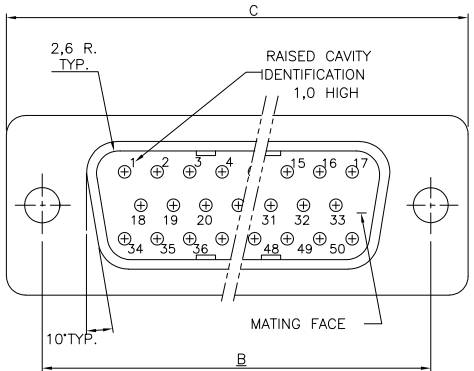
3

2

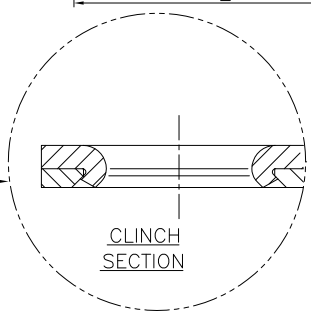
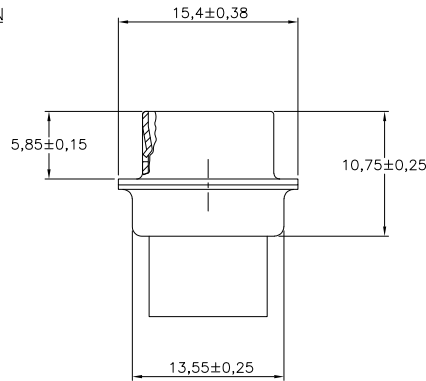
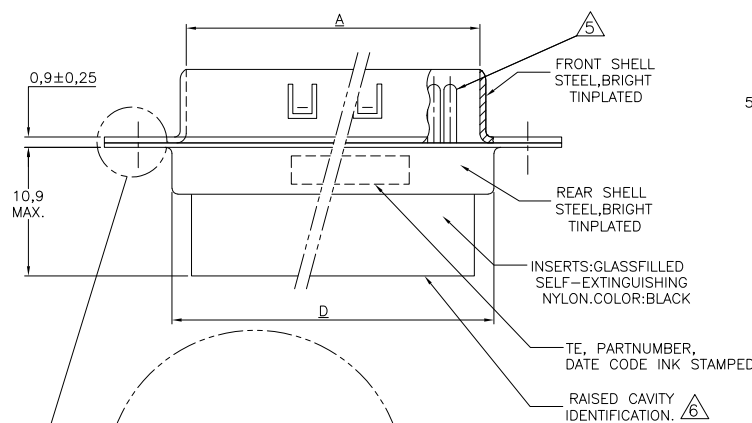
1

THIS DRAWING IS UNPUBLISHED. RELEASED FOR PUBLICATION
 © COPYRIGHT - BY TYCO ELECTRONICS CORPORATION. ALL RIGHTS RESERVED.

LOC	DIST	REVISIONS			
P	LTR	DESCRIPTION	DATE	DWN	APVD
-	-	SEE SHEET 1	-	-	-



SIZE 5
 CONFIGURATION



THIS DRAWING IS A CONTROLLED DOCUMENT.		DWN B.MOOIJ	20NOV87	Tyco Electronics Corporation 's-Hertogenbosch, Nederland	
DIMENSIONS: mm		CHK -	APVD -	NAME HDP-20 PLUG CONNECTOR, SIZE 5	
TOLERANCES UNLESS OTHERWISE SPECIFIED:		PRODUCT SPEC -	APPLICATION SPEC -	SIZE A3	CAGE CODE 00779
0 PLC ± -	1 PLC ± 0.2	2 PLC ± -	3 PLC ± -	DRAWING NO C-167292	RESTRICTED TO -
4 PLC ± -	ANGLES ± 2°	WEIGHT -		CUSTOMER DRAWING	
MATERIAL -	FINISH -	SCALE NTS		SHEET 2 OF 2	REV M1

AMP 1470-19 REV 31MAR2000