

4

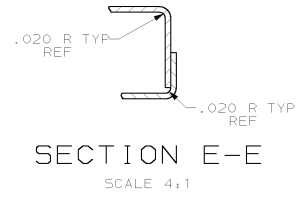
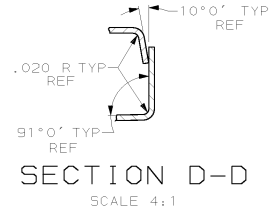
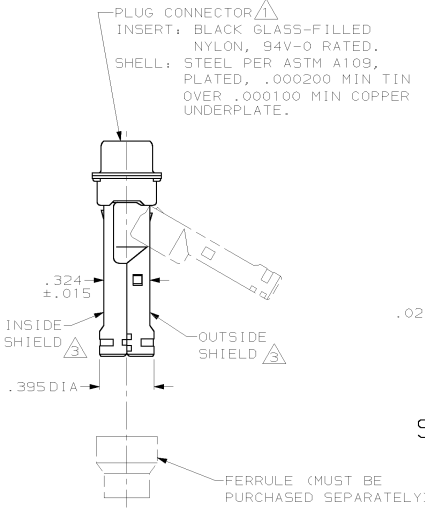
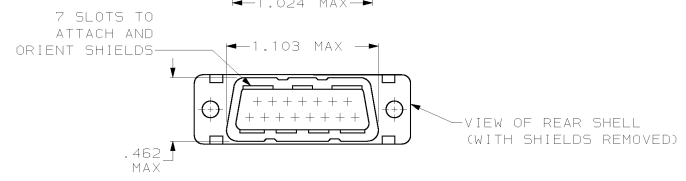
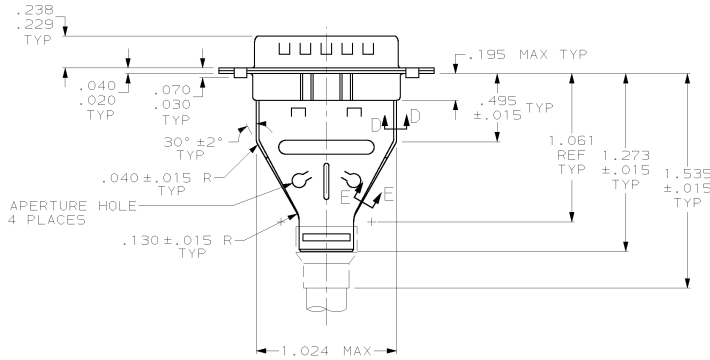
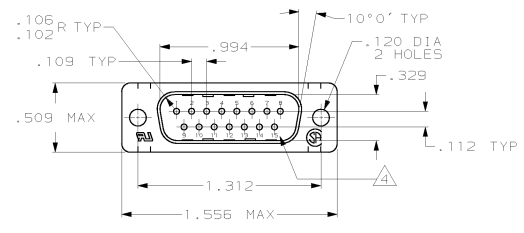
3

2

1

THIS DRAWING IS UNCLASSIFIED
(C) COPYRIGHT 19 BY AMP INCORPORATED. ALL RIGHTS RESERVED.

REV	DATE	DESCRIPTION	DATE	BY	APP'D
0	30.JUL.03	RELEASED PER EC 0513-0196-03		JR	JS



- 1. PLUG ACCEPTS SIZE 20 PIN CONTACTS (CONTACTS MUST BE ORDERED SEPARATELY).
- 2. ALL PARTS SHIPPED UNASSEMBLED, EACH PART INDIVIDUALLY BULK PACKED.
- 3. SHIELDS: MATERIAL-.020 THICK STEEL, PER ASTM A109, PLATED .000200 MIN TIN OVER .000100 MIN COPPER UNDERPLATE.
- 4. RAISED CAVITY IDENTIFICATION AND AMP TRADEMARK.

1658647-1
PART NUMBER

THIS DRAWING IS A CONTROLLED DOCUMENT		DATE: 30.JUL.03	AMP	AMP Incorporated
DRAWN BY: J. BELTZEL		DATE: 30.JUL.03	Harrisburg, PA 17105-3608	
CHECKED BY: S. BOLASH		DATE: 30.JUL.03	KIT, PLUG, SHIELDING HARDWARE,	
DESIGNED BY: M. WALSHLEY		DATE: 30.JUL.03	SIZE 2, 15 POSITION,	
PRODUCT SPEC: 108-40030		APPLICATION SPEC: 114-40030	AMPLIMITE™ HDP-20	
MATERIAL: SEE CALL OUT		FINISH: SEE CALL OUT	SHEET: A2	CASE CODE: 00779
DRAWING NO: 1658647		SCALE: 2:1	RESTRICTED TO: 0	
CUSTOMER DRAWINGS		SHEET: 1 OF 1	REV: 0	