

4

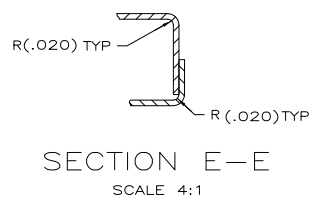
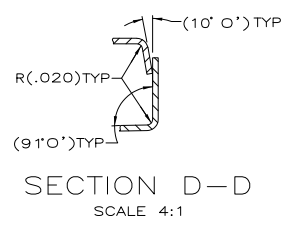
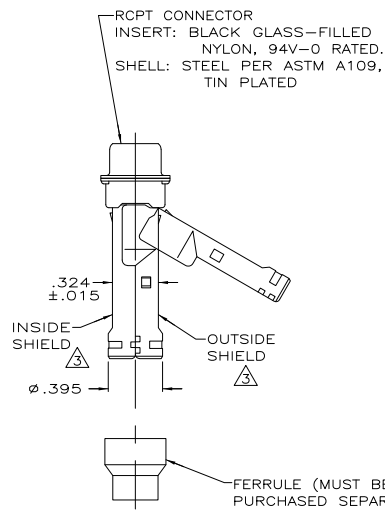
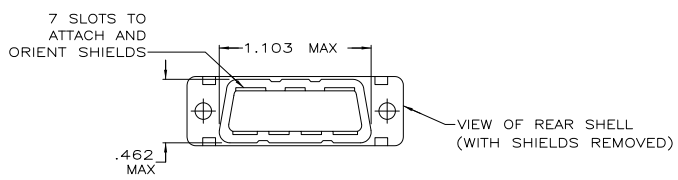
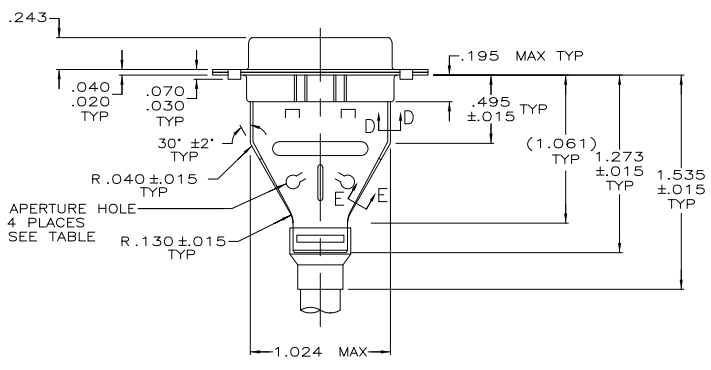
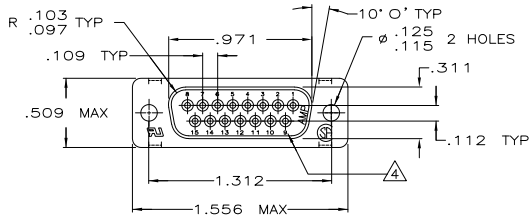
3

2

1

THIS DRAWING IS UNPUBLISHED. RELEASED FOR PUBLICATION
 © COPYRIGHT - By - ALL RIGHTS RESERVED.

LOC	DIST	REVISIONS				
GP	00	P	LR	DATE	BY	APPD
		A1	REVISED PER ECO-11-004835	11MAR11	RK	HMR



- △ RCPT ACCEPTS SIZE 20 SOCKET CONTACTS (CONTACTS MUST BE ORDERED SEPARATELY).
- 2. ALL PARTS SHIPPED UNASSEMBLED, EACH PART INDIVIDUALLY BULK PACKED.
- △ SHIELDS: MATERIAL-.020 THICK STEEL, TIN PLATED
- △ RAISED CAVITY IDENTIFICATION AND AMP TRADEMARK.

5747539-1
 PART NUMBER

THIS DRAWING IS A CONTROLLED DOCUMENT.		DR: C. ATTADIA 11-10-04	TE Connectivity
DIMENSIONS: INCHES		CHK: J. GERACE 11-10-04	APD: M. WALMSLEY 11-10-04
OTHER DIMENSIONS: PLACES DIMENSIONS: 0 PLC ±.005, 1 PLC ±.005, 2 PLC ±.005, 3 PLC ±.005, 4 PLC ±.005, ANGLES ±.005		PRODUCT SPEC: 108-40005 & 108-40030	NAME: KIT, RCPT, SHIELDING HARDWARE, SIZE 2, 15 POSN, HDP-20, AMPLIMITE
MATERIAL: △		APPLICATION SPEC: 114-40030	RESTRICTED TO: -
FINISH: △		SIZE: A2	CAGE CODE: 00779
		DRAWING NO: C=5747539	SCALE: 2:1
		CUSTOMER DRAWING	SHEET: 1 of 1
			REV: A1

1471-9 (3/11)

5747539