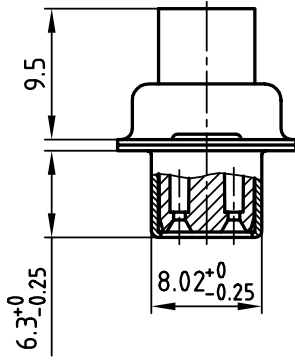
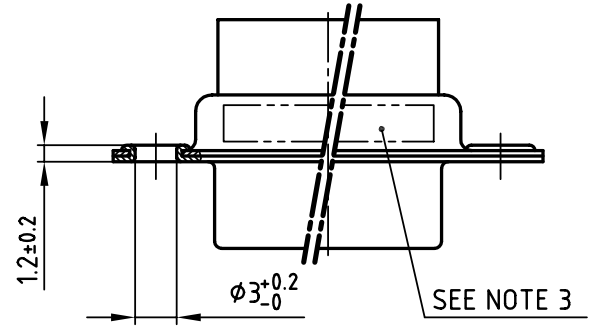
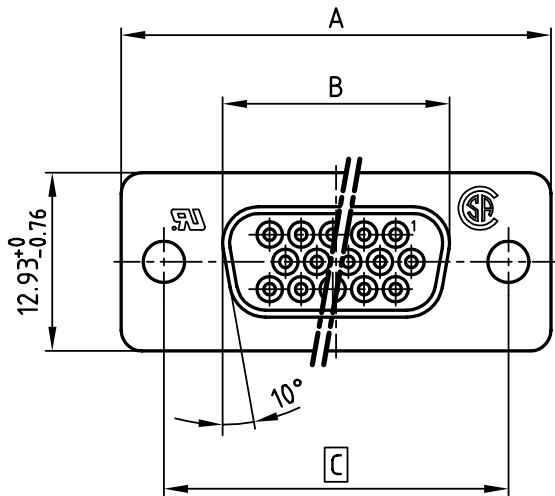


used for: D-SUB HD



POS.	A -0.76	B -0.25	C	Part-NO.
15	31.19	16.46	25.00 <sup>+0.12</sup> / <sub>-0.13</sub>	164X11949X
26	39.52	24.79	33.30 <sup>+0.15</sup> / <sub>-0.1</sub>	164X11959X
44	53.42	38.50	47.04 ±0.13	164X11969X (304A544000X)
62	69.70	54.96	63.50 ±0.13	164X11979X

**NOTES:**

- METALSHELLS: STEEL; min. 320µ" TIN
- INSULATORS: PBT GF UL 94 V-0, BLACK
- CONNECTOR IS PART MARKED: PART-NO. CONEC Y/WW
- = CRITICAL DIMENSION: SPC

THIS DRAWING MAY NOT BE COPIED OR REPRODUCED IN ANY WAY, AND MAY NOT BE PASSED ON TO A THIRD PARTY WITHOUT WRITTEN PERMISSION.  
 OWNERSHIP AND COPYRIGHT OF CONEC GmbH  
 DO NOT ALTER CAD DRAWING BY HAND

tolerance				scale: 2:1	
				material: SEE NOTES	
2001	date	name		title: <b>D-SUB HD FEMALE</b> CRIMP-VERSION 15-62pos.	
drawn	12.03.	Parei			
appd.	12.03.	Mickenbecker			
norm					
d-old				dwg no: CAD/ 2000 DIN-A	
				4	
				sh: 1/1	
rev.	description	date	name		

