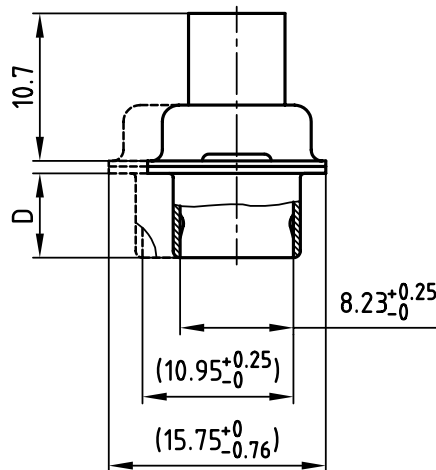
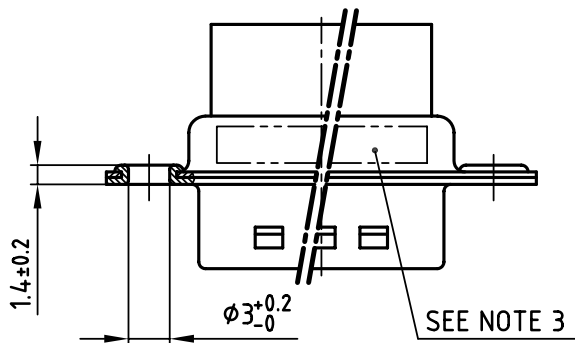
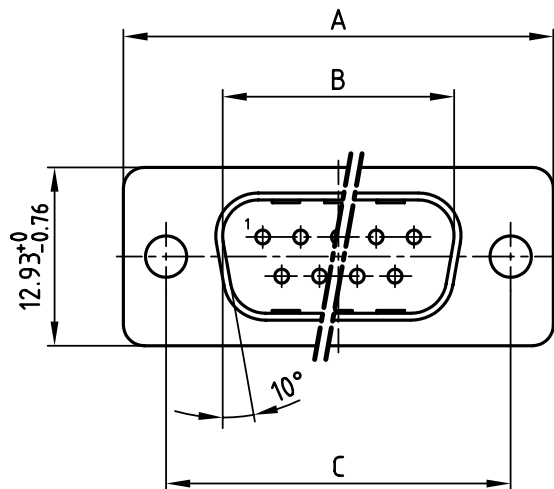


used for: D-SUB



NOTES:

1. METALSHELLS: STEEL; min. 315pin TIN over 40-80µin NICKEL
2. INSULATORS: PBT GF UL 94 V-0, BLACK
3. CONNECTOR IS PART MARKED: PART-NO. CONEC ABC

Dimensions in (---) = 50pos.

No. of Pos.	A ^{-0.76}	B ^{+0.25}	C	D ^{-0.3}	Part-NO.
9	31.19	16.79	25.00 ^{+0.12/-0.13}	6.12	163X10019X
15	39.52	25.12	33.30 ^{+0.15/-0.1}	6.12	163X10029X (163X10029X-G)
25	53.42	38.84	47.04 ±0.13	5.99	163X10039X (163X10039X-G)
37	69.70	55.30	63.50 ±0.13	5.99	163X10049X
50	67.31	52.68	61.10 ^{+0.14/-0.11}	5.99	163X10059X

(b)



THIS DRAWING MAY NOT BE COPIED OR REPRODUCED IN ANY WAY, AND MAY NOT BE PASSED ON TO A THIRD PARTY WITHOUT WRITTEN PERMISSION.
 OWNERSHIP AND COPYRIGHT OF CONEC GmbH
 DO NOT ALTER CAD DRAWING BY HAND

tolerance				scale: 2:1
				material: SEE NOTES
	2001	date	name	title: D-SUB Plug connector CRIMP STYLE 9 - 50 pos.
	drawn	11.04.	Parei	
	appd.	11.04.	E. Mickenbecker	
	norm	DIN 41652		
	d-old	KAT1105A		
1 x b	Ä 3084	21.08.08	HS	dwg no: AutoCAD 2000 DIN-A
a	Origin			16K1A178A 4
rev.	description	date	name	sh: 1/1
CONEC [®]				part no: SEE TABLE



D-SUB Plug connector
CRIMP STYLE 9 - 50 pos.

16K1A178A

SEE TABLE