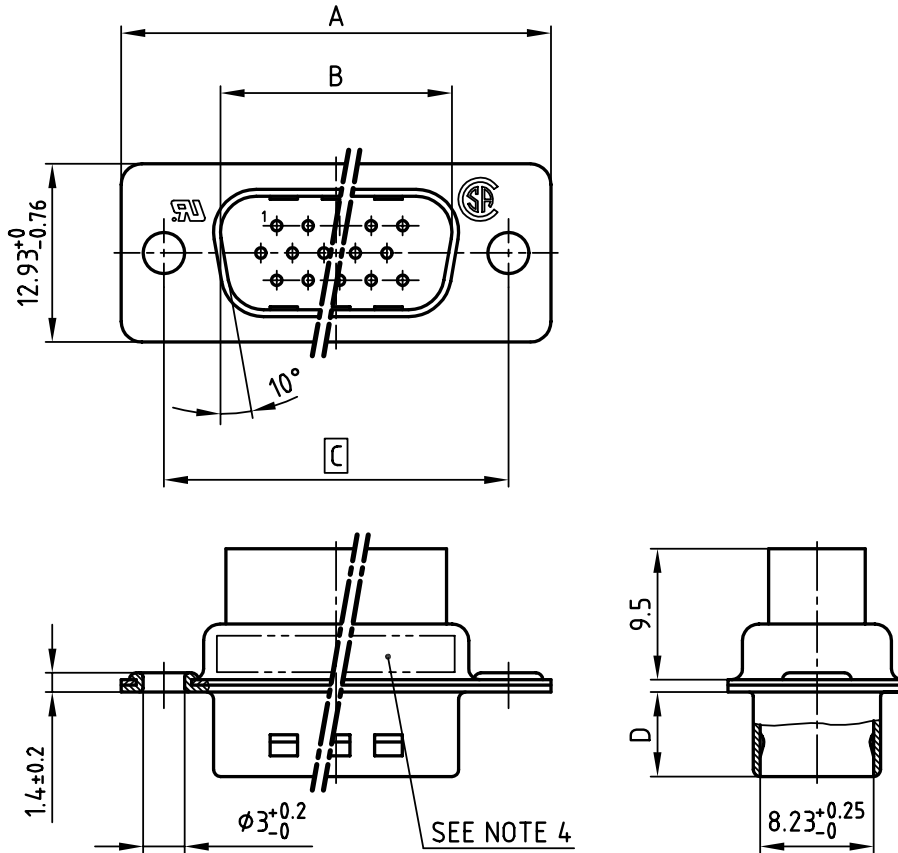


used for: D-SUB HD



POS.	A ^{-0.76}	B ^{+0.25}	C	D ^{-0.3}	Part-NO.
15	31.19	16.79	25.00 ^{+0.12} _{-0.13}	6.12	163X10169X (303A505000X)
26	39.52	25.12	33.30 ^{+0.15} _{-0.1}	6.12	163X10179X
44	53.42	38.84	47.04 ± 0.13	5.99	163X10189X
62	69.70	55.30	63.50 ± 0.13	5.99	163X10199X

NOTES:

1. METALSHELLS: STEEL; min. 320 μ " TIN
2. INSULATORS: PBT GF UL 94 V-0, BLACK
3. = CRITICAL DIMENSION: SPC
4. CONNECTOR IS PART MARKED: PART-NO. CONEC Y/WW

THIS DRAWING MAY NOT BE COPIED OR REPRODUCED IN ANY WAY, AND MAY NOT BE PASSED ON TO A THIRD PARTY WITHOUT WRITTEN PERMISSION.
 OWNERSHIP AND COPYRIGHT OF CONEC GmbH
 DO NOT ALTER CAD DRAWING BY HAND

tolerance		2001		date		name	
		drawn	12.03.				Parei
		appd.	12.03.				E. Mickenbecker
		norm					
		d-old					
rev.	description	date	name				



scale:	2:1		
material:	SEE NOTES		
title:	D-SUB HD MALE CRIMP-VERSION 15-62pos.		
dwg no:	AutoCAD 2000	DIN-A	
	16K1A154A	4	
		sh: 1/1	
part no:	SEE TABLE		