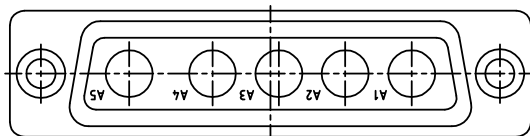
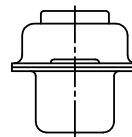
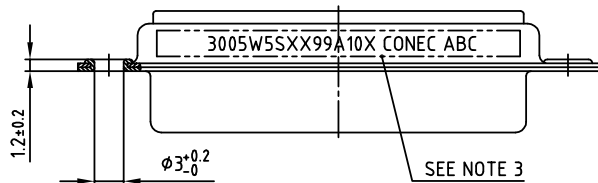
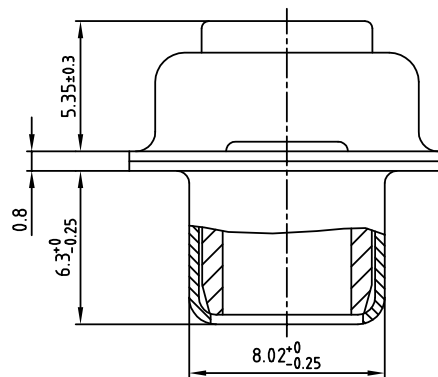
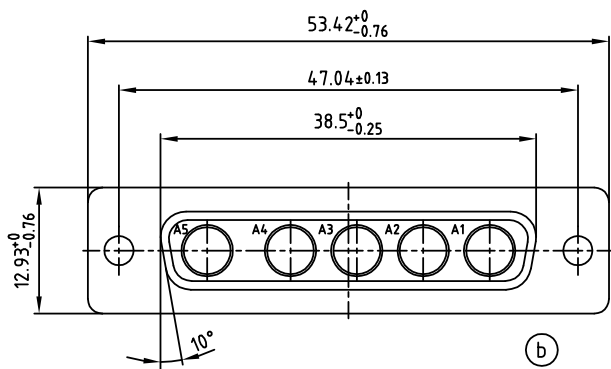


used for: D-SUB COMBINATION

5:1



Directive 2002/95/EC
RoHS
Compliant

NOTES:

- METALSHELLS: STEEL; TIN PLATED
- INSULATOR: PBT GF, UL 94 V-0; GREEN
- CONNECTOR IS PART MARKED: 3005W5SXX99A10X CONEC Y/WW

THIS DRAWING MAY NOT BE COPIED OR REPRODUCED IN ANY WAY, AND MAY NOT BE PASSED ON TO A THIRD PARTY, WITHOUT WRITTEN PERMISSION. OWNERSHIP AND COPYRIGHT OF CONEC GmbH DO NOT ALTER CAD DRAWING BY HAND

tolerance		scale: 2:1 (5:1)	
		material: SEE NOTES	
1998	date	name	
drawn	09.11.	Barcinski	
appd.	09.11.	Mickenbecker	
norm			
d-old			
1 x b	Ä3485	06.11.09	Sonne
a	Origin		
rev.	description	date	name
		CONEC	
title:		D-SUB COMBINATION FEMALE	
		5W5S	
		WITHOUT CONTACTS	
dwg no:		AutoCAD/REL.13	DIN-A
		13K11K5A	3
		sh: 1/1	
part no:		3005W5SXX99A10X	