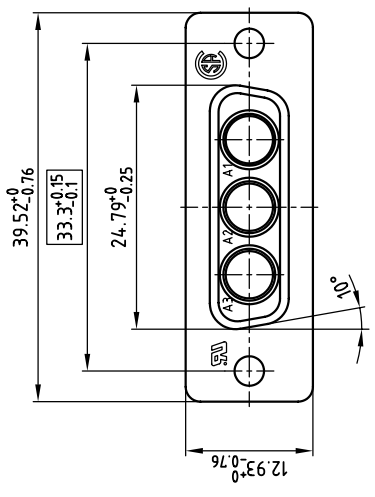
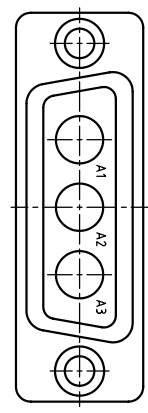
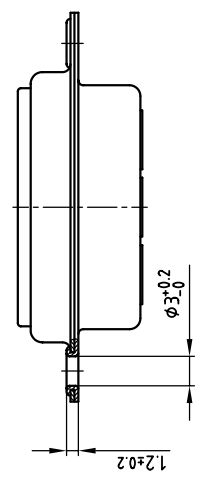
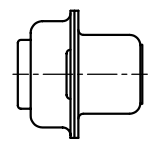
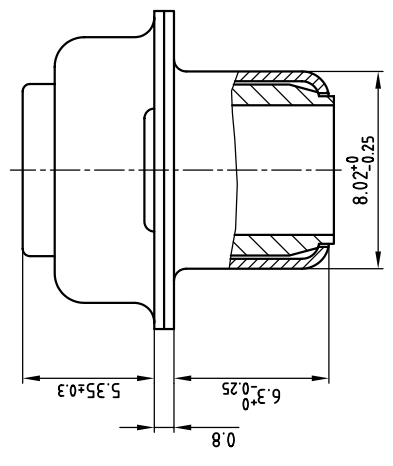


Used for: D-SUB COMBINATION



5:1



**NOTES:**

1. METAL SHELLS: STEEL; min. 320µ" TIN
2. INSULATORS: PBT GF UL 94 V-0, GREEN
3.   = CRITICAL DIMENSION: SPC

Directive 2002/95/EC  
 "RoHS"  
 Compliant

THIS DRAWING MAY NOT BE COPIED OR REPRODUCED IN ANY WAY, AND MAY NOT BE PASSED ON TO A THIRD PARTY WITHOUT WRITTEN PERMISSION. OWNERSHIP AND COPYRIGHT OF CONEC GMBH DO NOT ALTER CAD DRAWING BY HAND

rev.	description	date	name

2001	date	name
drawn	11.05.	Parer
appd.	11.05.	E. Mickenbecker
norm		
d-old		

Tolerance: 2:1 (5:1)  
 material: SEE NOTES  
 title: D-SUB COMBINATION FEMALE 3W3S  
 dwg no: 13K1A246A  
 AutoCAD 2000  
 DIN-A 3  
 sh: 1/1  
 part no: 3003W3SXX99A10X

CONEC®