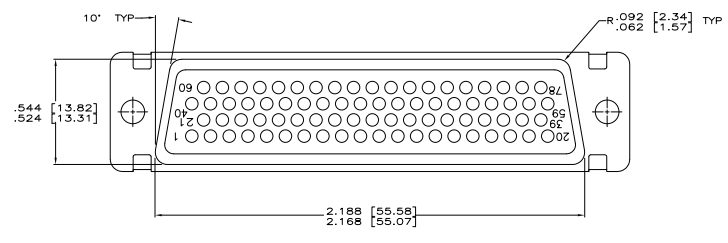
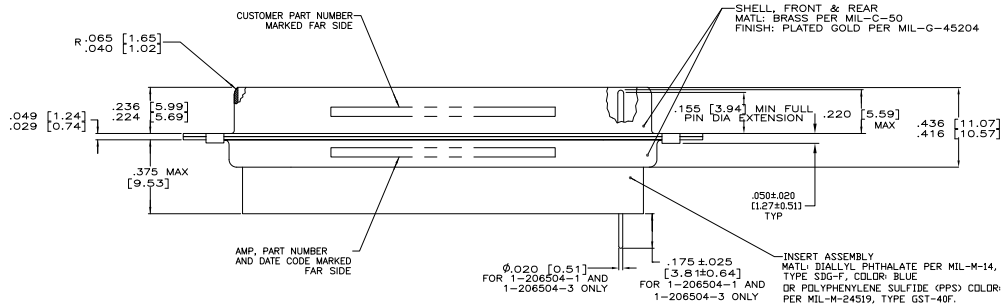
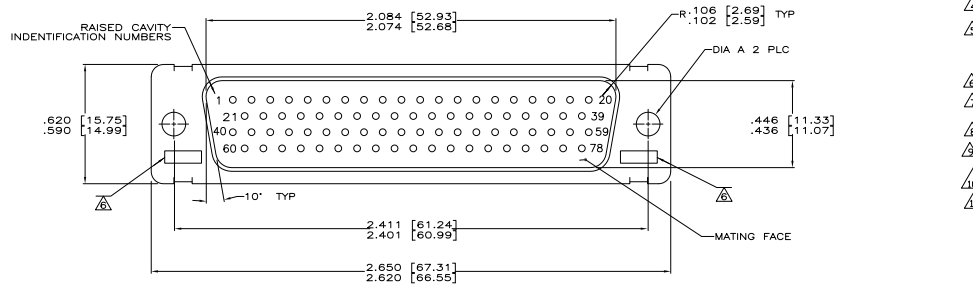


REV	DATE	DESCRIPTION	BY	CHK
1				
2				
3				
4				
5				
6				
7				
8				

- THIS PLUG WILL MATE WITH ANY RECEPTACLE CONNECTOR WITH THE SAME INSERT ARRANGEMENT AS DEFINED BY MS18277-2.
 - MAXIMUM WIRE INSULATION USED WITH THIS PLUG IS .054 DIA.
 - Be-Cu RETENTION CLIPS ARE INCLUDED IN INSERTS.
- ▲ INSPECTION REQUIREMENTS PER R4383.
 ▲ CONNECTOR SUPPLIED WITH 86 CONTACTS, PART NUMBER 204370-8. INSPECTION REQUIREMENTS PER R4383 WITHOUT TESTS FOR HIGH ALTITUDE DIELECTRIC WITHSTANDING VOLTAGE AS CALLED FOR IN TABLE II SCREENING AND TESTING.
 ▲ UL/CSA DESIGNATION STAMPED IN THIS AREA, OPTIONAL.
 ▲ CONNECTOR LOADED WITH POSTED CONTACTS. INSPECTION REQUIREMENTS PER GENERAL ELECTRIC DOCUMENT 20025720.
 ▲ RESTRICTED TO CAE ELECTRONICS ONLY.
 ▲ THESE CONNECTORS ARE QUALIFIED TO GODDARD SPACE FLIGHT CENTER SPECIFICATION S-311-P-4.
 ▲ CONNECTOR LOADED WITH POSTED CONTACTS.
 ▲ SINGLE LOT DATE CODE AND 100% GROUP "A" ACCEPTANCE TESTING PER CI-2A-019.



PART NUMBER 204370-8
 GSFC PART NUMBER G-08-P1
 (SUPPLIED WITH 206504-8 ONLY)

REMARKS	DI/A	DI/A	DI/A	DI/A	DI/A
	.120 [3.05]	CI-2A-019-010V-001	1-206504-5	1-206504-5	
	.120 [3.05]	570566-11	1-206504-4	1-206504-4	
	.120 [3.05]	-	1-206504-3	1-206504-3	
	.120 [3.05]	311P407-SP-B-12	206504-4	1-206504-2	
	.120 [3.05]	20025720P2078P	1-206504-1	1-206504-1	
	.120 [3.05]	1622251-005	1-206504-0	1-206504-0	
	.120 [3.05]	7636-9	206504-9	206504-9	
	.120 [3.05]	R4383P78P	206504-8	206504-8	
	.154 [3.91]	N/A	206504-7	206504-7	
	.120 [3.05]	R4383P78P-2	206504-6	206504-6	
	.120 [3.05]	SC81B139-055	206504-5	206504-5	
	.120 [3.05]	311P407-SP-B-12	206504-4	206504-4	
	.154 [3.91]	N/A	206504-3	206504-3	
	.120 [3.05]	R9259P78P	206504-2	206504-2	
	.154 [3.91]	311P407-SP-B-15	206504-1	206504-1	

THIS DRAWING IS A CONTROLLED DOCUMENT.

INCHES: 1/16, 1/8, 3/16, 1/4, 5/16, 3/8, 7/16, 1/2, 5/8, 3/4, 7/8, 1, 1 1/8, 1 1/4, 1 3/8, 1 1/2, 1 5/8, 1 3/4, 1 7/8, 2, 2 1/8, 2 1/4, 2 3/8, 2 1/2, 2 5/8, 2 3/4, 2 7/8, 3, 3 1/8, 3 1/4, 3 3/8, 3 1/2, 3 5/8, 3 3/4, 3 7/8, 4, 4 1/8, 4 1/4, 4 3/8, 4 1/2, 4 5/8, 4 3/4, 4 7/8, 5, 5 1/8, 5 1/4, 5 3/8, 5 1/2, 5 5/8, 5 3/4, 5 7/8, 6, 6 1/8, 6 1/4, 6 3/8, 6 1/2, 6 5/8, 6 3/4, 6 7/8, 7, 7 1/8, 7 1/4, 7 3/8, 7 1/2, 7 5/8, 7 3/4, 7 7/8, 8, 8 1/8, 8 1/4, 8 3/8, 8 1/2, 8 5/8, 8 3/4, 8 7/8, 9, 9 1/8, 9 1/4, 9 3/8, 9 1/2, 9 5/8, 9 3/4, 9 7/8, 10, 10 1/8, 10 1/4, 10 3/8, 10 1/2, 10 5/8, 10 3/4, 10 7/8, 11, 11 1/8, 11 1/4, 11 3/8, 11 1/2, 11 5/8, 11 3/4, 11 7/8, 12, 12 1/8, 12 1/4, 12 3/8, 12 1/2, 12 5/8, 12 3/4, 12 7/8, 13, 13 1/8, 13 1/4, 13 3/8, 13 1/2, 13 5/8, 13 3/4, 13 7/8, 14, 14 1/8, 14 1/4, 14 3/8, 14 1/2, 14 5/8, 14 3/4, 14 7/8, 15, 15 1/8, 15 1/4, 15 3/8, 15 1/2, 15 5/8, 15 3/4, 15 7/8, 16, 16 1/8, 16 1/4, 16 3/8, 16 1/2, 16 5/8, 16 3/4, 16 7/8, 17, 17 1/8, 17 1/4, 17 3/8, 17 1/2, 17 5/8, 17 3/4, 17 7/8, 18, 18 1/8, 18 1/4, 18 3/8, 18 1/2, 18 5/8, 18 3/4, 18 7/8, 19, 19 1/8, 19 1/4, 19 3/8, 19 1/2, 19 5/8, 19 3/4, 19 7/8, 20, 20 1/8, 20 1/4, 20 3/8, 20 1/2, 20 5/8, 20 3/4, 20 7/8, 21, 21 1/8, 21 1/4, 21 3/8, 21 1/2, 21 5/8, 21 3/4, 21 7/8, 22, 22 1/8, 22 1/4, 22 3/8, 22 1/2, 22 5/8, 22 3/4, 22 7/8, 23, 23 1/8, 23 1/4, 23 3/8, 23 1/2, 23 5/8, 23 3/4, 23 7/8, 24, 24 1/8, 24 1/4, 24 3/8, 24 1/2, 24 5/8, 24 3/4, 24 7/8, 25, 25 1/8, 25 1/4, 25 3/8, 25 1/2, 25 5/8, 25 3/4, 25 7/8, 26, 26 1/8, 26 1/4, 26 3/8, 26 1/2, 26 5/8, 26 3/4, 26 7/8, 27, 27 1/8, 27 1/4, 27 3/8, 27 1/2, 27 5/8, 27 3/4, 27 7/8, 28, 28 1/8, 28 1/4, 28 3/8, 28 1/2, 28 5/8, 28 3/4, 28 7/8, 29, 29 1/8, 29 1/4, 29 3/8, 29 1/2, 29 5/8, 29 3/4, 29 7/8, 30, 30 1/8, 30 1/4, 30 3/8, 30 1/2, 30 5/8, 30 3/4, 30 7/8, 31, 31 1/8, 31 1/4, 31 3/8, 31 1/2, 31 5/8, 31 3/4, 31 7/8, 32, 32 1/8, 32 1/4, 32 3/8, 32 1/2, 32 5/8, 32 3/4, 32 7/8, 33, 33 1/8, 33 1/4, 33 3/8, 33 1/2, 33 5/8, 33 3/4, 33 7/8, 34, 34 1/8, 34 1/4, 34 3/8, 34 1/2, 34 5/8, 34 3/4, 34 7/8, 35, 35 1/8, 35 1/4, 35 3/8, 35 1/2, 35 5/8, 35 3/4, 35 7/8, 36, 36 1/8, 36 1/4, 36 3/8, 36 1/2, 36 5/8, 36 3/4, 36 7/8, 37, 37 1/8, 37 1/4, 37 3/8, 37 1/2, 37 5/8, 37 3/4, 37 7/8, 38, 38 1/8, 38 1/4, 38 3/8, 38 1/2, 38 5/8, 38 3/4, 38 7/8, 39, 39 1/8, 39 1/4, 39 3/8, 39 1/2, 39 5/8, 39 3/4, 39 7/8, 40, 40 1/8, 40 1/4, 40 3/8, 40 1/2, 40 5/8, 40 3/4, 40 7/8, 41, 41 1/8, 41 1/4, 41 3/8, 41 1/2, 41 5/8, 41 3/4, 41 7/8, 42, 42 1/8, 42 1/4, 42 3/8, 42 1/2, 42 5/8, 42 3/4, 42 7/8, 43, 43 1/8, 43 1/4, 43 3/8, 43 1/2, 43 5/8, 43 3/4, 43 7/8, 44, 44 1/8, 44 1/4, 44 3/8, 44 1/2, 44 5/8, 44 3/4, 44 7/8, 45, 45 1/8, 45 1/4, 45 3/8, 45 1/2, 45 5/8, 45 3/4, 45 7/8, 46, 46 1/8, 46 1/4, 46 3/8, 46 1/2, 46 5/8, 46 3/4, 46 7/8, 47, 47 1/8, 47 1/4, 47 3/8, 47 1/2, 47 5/8, 47 3/4, 47 7/8, 48, 48 1/8, 48 1/4, 48 3/8, 48 1/2, 48 5/8, 48 3/4, 48 7/8, 49, 49 1/8, 49 1/4, 49 3/8, 49 1/2, 49 5/8, 49 3/4, 49 7/8, 50, 50 1/8, 50 1/4, 50 3/8, 50 1/2, 50 5/8, 50 3/4, 50 7/8, 51, 51 1/8, 51 1/4, 51 3/8, 51 1/2, 51 5/8, 51 3/4, 51 7/8, 52, 52 1/8, 52 1/4, 52 3/8, 52 1/2, 52 5/8, 52 3/4, 52 7/8, 53, 53 1/8, 53 1/4, 53 3/8, 53 1/2, 53 5/8, 53 3/4, 53 7/8, 54, 54 1/8, 54 1/4, 54 3/8, 54 1/2, 54 5/8, 54 3/4, 54 7/8, 55, 55 1/8, 55 1/4, 55 3/8, 55 1/2, 55 5/8, 55 3/4, 55 7/8, 56, 56 1/8, 56 1/4, 56 3/8, 56 1/2, 56 5/8, 56 3/4, 56 7/8, 57, 57 1/8, 57 1/4, 57 3/8, 57 1/2, 57 5/8, 57 3/4, 57 7/8, 58, 58 1/8, 58 1/4, 58 3/8, 58 1/2, 58 5/8, 58 3/4, 58 7/8, 59, 59 1/8, 59 1/4, 59 3/8, 59 1/2, 59 5/8, 59 3/4, 59 7/8, 60, 60 1/8, 60 1/4, 60 3/8, 60 1/2, 60 5/8, 60 3/4, 60 7/8, 61, 61 1/8, 61 1/4, 61 3/8, 61 1/2, 61 5/8, 61 3/4, 61 7/8, 62, 62 1/8, 62 1/4, 62 3/8, 62 1/2, 62 5/8, 62 3/4, 62 7/8, 63, 63 1/8, 63 1/4, 63 3/8, 63 1/2, 63 5/8, 63 3/4, 63 7/8, 64, 64 1/8, 64 1/4, 64 3/8, 64 1/2, 64 5/8, 64 3/4, 64 7/8, 65, 65 1/8, 65 1/4, 65 3/8, 65 1/2, 65 5/8, 65 3/4, 65 7/8, 66, 66 1/8, 66 1/4, 66 3/8, 66 1/2, 66 5/8, 66 3/4, 66 7/8, 67, 67 1/8, 67 1/4, 67 3/8, 67 1/2, 67 5/8, 67 3/4, 67 7/8, 68, 68 1/8, 68 1/4, 68 3/8, 68 1/2, 68 5/8, 68 3/4, 68 7/8, 69, 69 1/8, 69 1/4, 69 3/8, 69 1/2, 69 5/8, 69 3/4, 69 7/8, 70, 70 1/8, 70 1/4, 70 3/8, 70 1/2, 70 5/8, 70 3/4, 70 7/8, 71, 71 1/8, 71 1/4, 71 3/8, 71 1/2, 71 5/8, 71 3/4, 71 7/8, 72, 72 1/8, 72 1/4, 72 3/8, 72 1/2, 72 5/8, 72 3/4, 72 7/8, 73, 73 1/8, 73 1/4, 73 3/8, 73 1/2, 73 5/8, 73 3/4, 73 7/8, 74, 74 1/8, 74 1/4, 74 3/8, 74 1/2, 74 5/8, 74 3/4, 74 7/8, 75, 75 1/8, 75 1/4, 75 3/8, 75 1/2, 75 5/8, 75 3/4, 75 7/8, 76, 76 1/8, 76 1/4, 76 3/8, 76 1/2, 76 5/8, 76 3/4, 76 7/8, 77, 77 1/8, 77 1/4, 77 3/8, 77 1/2, 77 5/8, 77 3/4, 77 7/8, 78, 78 1/8, 78 1/4, 78 3/8, 78 1/2, 78 5/8, 78 3/4, 78 7/8, 79, 79 1/8, 79 1/4, 79 3/8, 79 1/2, 79 5/8, 79 3/4, 79 7/8, 80, 80 1/8, 80 1/4, 80 3/8, 80 1/2, 80 5/8, 80 3/4, 80 7/8, 81, 81 1/8, 81 1/4, 81 3/8, 81 1/2, 81 5/8, 81 3/4, 81 7/8, 82, 82 1/8, 82 1/4, 82 3/8, 82 1/2, 82 5/8, 82 3/4, 82 7/8, 83, 83 1/8, 83 1/4, 83 3/8, 83 1/2, 83 5/8, 83 3/4, 83 7/8, 84, 84 1/8, 84 1/4, 84 3/8, 84 1/2, 84 5/8, 84 3/4, 84 7/8, 85, 85 1/8, 85 1/4, 85 3/8, 85 1/2, 85 5/8, 85 3/4, 85 7/8, 86, 86 1/8, 86 1/4, 86 3/8, 86 1/2, 86 5/8, 86 3/4, 86 7/8, 87, 87 1/8, 87 1/4, 87 3/8, 87 1/2, 87 5/8, 87 3/4, 87 7/8, 88, 88 1/8, 88 1/4, 88 3/8, 88 1/2, 88 5/8, 88 3/4, 88 7/8, 89, 89 1/8, 89 1/4, 89 3/8, 89 1/2, 89 5/8, 89 3/4, 89 7/8, 90, 90 1/8, 90 1/4, 90 3/8, 90 1/2, 90 5/8, 90 3/4, 90 7/8, 91, 91 1/8, 91 1/4, 91 3/8, 91 1/2, 91 5/8, 91 3/4, 91 7/8, 92, 92 1/8, 92 1/4, 92 3/8, 92 1/2, 92 5/8, 92 3/4, 92 7/8, 93, 93 1/8, 93 1/4, 93 3/8, 93 1/2, 93 5/8, 93 3/4, 93 7/8, 94, 94 1/8, 94 1/4, 94 3/8, 94 1/2, 94 5/8, 94 3/4, 94 7/8, 95, 95 1/8, 95 1/4, 95 3/8, 95 1/2, 95 5/8, 95 3/4, 95 7/8, 96, 96 1/8, 96 1/4, 96 3/8, 96 1/2, 96 5/8, 96 3/4, 96 7/8, 97, 97 1/8, 97 1/4, 97 3/8, 97 1/2, 97 5/8, 97 3/4, 97 7/8, 98, 98 1/8, 98 1/4, 98 3/8, 98 1/2, 98 5/8, 98 3/4, 98 7/8, 99, 99 1/8, 99 1/4, 99 3/8, 99 1/2, 99 5/8, 99 3/4, 99 7/8, 100, 100 1/8, 100 1/4, 100 3/8, 100 1/2, 100 5/8, 100 3/4, 100 7/8.

DATE: 10/07/99
 DRAWING NO: 206504
 CUSTOMER DRAWING: 206504