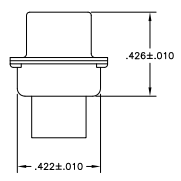
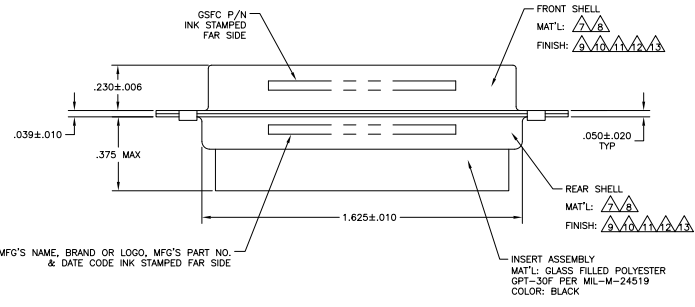


- THIS PLUG WILL MATE WITH ANY 13C3, SIZE 3 RECEPTACLE IN AMPLIMITE SERIES.
  - MAXIMUM WIRE INSULATION TO BE USED WITH THIS PLUG IS #068.
  - THIS CONNECTOR ACCEPTS (3) POWER 8, OR COAX PIN CONTACTS IN POSITIONS A1 THRU A3, PURCHASED SEPARATELY.
  - THIS CONNECTOR ACCEPTS SIZE 20 PIN SIGNAL CONTACTS IN POSITIONS 1 THRU 10, PURCHASED SEPARATELY.
- ⚠️ GROUNDING INDENTS FOR 208810-2 & 5-208810-2 ONLY (NOT SHOWN ON DRAWING).  
 ⚠️ UL/CSA DESIGNATION STAMPED IN THIS AREA, OPTIONAL.  
 ⚠️ STEEL PER ASTM-A-109.  
 ⚠️ BRASS PER MIL-C-50 AND ASTM-B-36 UNS NO. C26000.  
 ⚠️ FINISH: TIN PER ASTM-B-545 .000200 MIN THK OVER COPPER PER AMS2418 .000100-.000200 THK.  
 ⚠️ CADMIUM PLATED PER QQ-P-416.  
 ⚠️ FINISH: GOLD PLATED PER MIL-C-45204 TYPE II, GRADE C, CLASS 1 OVER COPPER PER MIL-C-14550, CLASS IV.  
 ⚠️ FINISH: TIN PER ASTM-B-545 .000200 MIN THK OVER COPPER PER AMS2418 .000100-.000200 THK.  
 ⚠️ FINISH: ZINC PLATE PER ASTM-B-633, .000200-.000400 THK WITH SUPPLEMENTARY CHROMATE (Cr3+).



⚠️	.120	-	5-208810-2
⚠️	.120	-	5-208810-1
⚠️	.154	311P405-12P-B-15	208810-4
⚠️	.120	311P405-12P-B-12	208810-3
⚠️	.120	-	208810-2
⚠️	.120	-	208810-1

THIS DRAWING IS A CONTROLLED DOCUMENT.		REV. C. THOMAS	DATE	10/10/08	Yates Electronics Corporation
DRAWING NO.		REV. C. THOMAS	DATE	10/10/08	Harrisburg, Pa 17105-3608
REVISIONS		REV. C. THOMAS	DATE	10/10/08	
DESCRIPTION		REV. C. THOMAS	DATE	10/10/08	PLUG ASSEMBLY
MATERIAL		REV. C. THOMAS	DATE	10/10/08	AMPLIMITE 13C3
FINISH		REV. C. THOMAS	DATE	10/10/08	SIZE 3, SERIES 109, COAX MIX
DRAWN BY		REV. C. THOMAS	DATE	10/10/08	
CHECKED BY		REV. C. THOMAS	DATE	10/10/08	
APPROVED BY		REV. C. THOMAS	DATE	10/10/08	
CUSTOMER DRAWING		REV. C. THOMAS	DATE	10/10/08	