

4

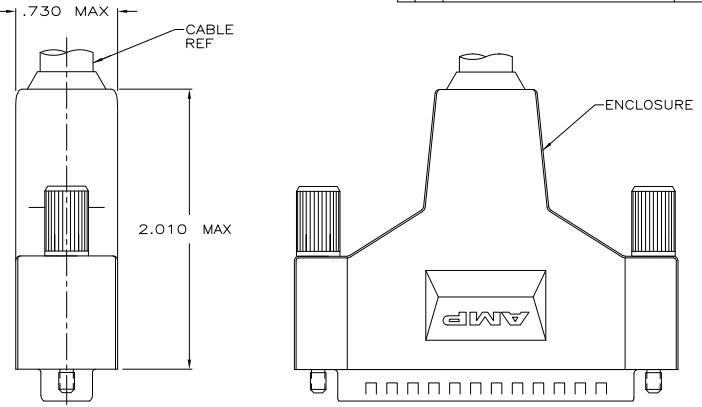
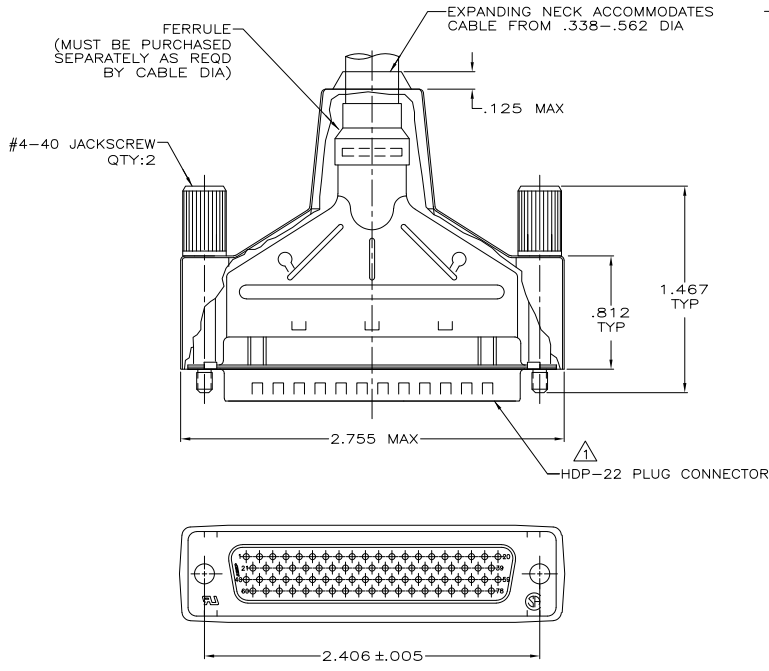
3

2

1

THIS DRAWING IS UNPUBLISHED. RELEASED FOR PUBLICATION. BY TYCO ELECTRONICS CORPORATION. ALL RIGHTS RESERVED.

LOC		DIBT		REVISIONS			
GP	00	P	LTR	DESCRIPTION	DATE	BY	APP
		A		REVISED PER ECO-08-003213	05FEB08	BM	CR



- ⚠️ PLUG ACCEPTS SIZE 22 DF SOCKET CONTACTS. CONTACTS MUST BE PURCHASED SEPARATELY.
- 2. ALL PARTS SHIPPED UNASSEMBLED.
- 3. COMPONENTS INDIVIDUALLY BULK PACKAGED.
- ⚠️ ENCLOSURE: ELASTOMER, STYRENE POLYOLEFIN, OR PVC, BLACK.
- ⚠️ SLIDE LATCH: STAINLESS STEEL PER ASTM A167.
- ⚠️ INSERTS: FLAME RETARDANT, 94V-0 RATED, GLASS FILLED, NYLON, BLACK.
- ⚠️ SHIELDS & SHELLS: CARBON STEEL PER ASTM A109.
- ⚠️ JACKSCREWS: ZINC ALLOY.
- ⚠️ SHELLS & SHIELDS: .000200 MIN TIN PLATE OVER .000100 MIN COPPER UNDERPLATE.
- ⚠️ JACKSCREWS: ZINC PHOSPHATE COATING, BLACK.

5748477-1
PART NUMBER

THIS DRAWING IS A CONTROLLED DOCUMENT.		108-40005 & 108-40030 OTHERS UNLESS OTHERWISE SPECIFIED.	12-21-04	12-21-04	12-21-04	12-21-04	12-21-04	12-21-04	12-21-04
DIMENSIONS: INCHES		0 PLC ± .005	1 PLC ± .005	2 PLC ± .005	3 PLC ± .005	4 PLC ± .005	ANGLES ± .005	FINISH	
MATERIAL		FINISH		APPLICATION SPEC: 114-40030		HEIGHT: -		SIZE: A2	
CUSTOMER DRAWING		SCALE: 2:1		SHEET: 1 of 1		REV: A		RESTRICTED TO: -	

AMP 1471-9 REV 31MM2000

5748477