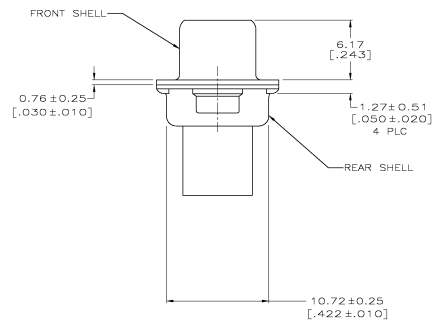
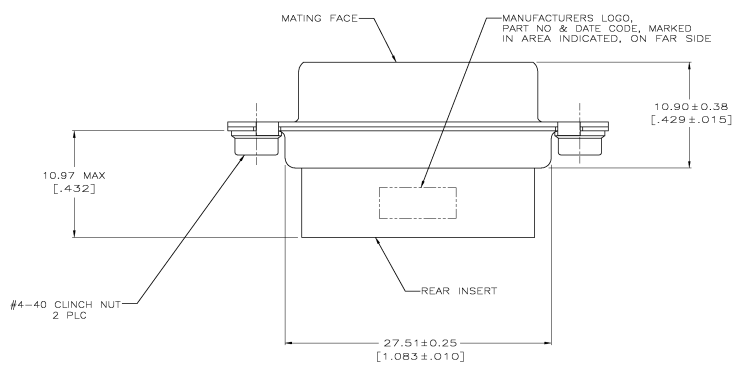
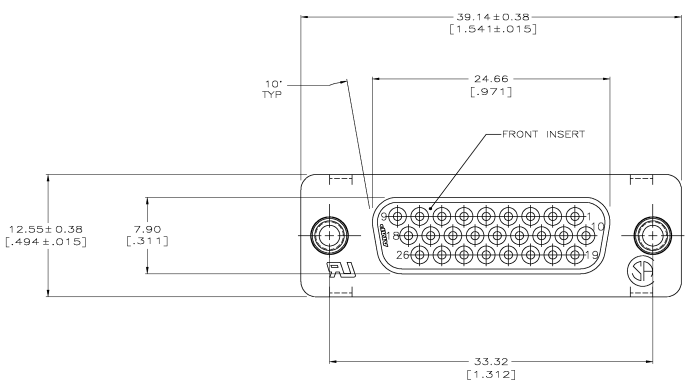


REV	DATE	DESCRIPTION	BY	CHK	APP
00					
0		RELEASED PER EC 0513-0297-04			JG

- △ FRONT SHELL, REAR SHELL & CLINCH NUTS: CARBON STEEL; FRONT & REAR INSERTS: NYLON, COLOR BLACK.
- △ FRONT & REAR SHELLS: 5.08µm [.000200] MIN TIN OVER 2.54µm [.000100] MIN COPPER.
- △ CLINCH NUTS: ZINC, CLEAR CHROMATE.



5788816-1
 PART NO

THIS DRAWING IS A CONTROLLED DOCUMENT.		DATE: 11/12/04	REV: 000000	BY: JG	CHK: JG	APP: JG
DRAWING NUMBER: 5788816-1		DATE: 11/12/04	REV: 000000	BY: JG	CHK: JG	APP: JG
DRAWING TITLE: RECEPTACLE CONNECTOR, SIZE 2, 26 POSN, WITH SELF LOCKING CLINCH NUTS, ANGLEWIRE, HSP-22		DATE: 11/12/04	REV: 000000	BY: JG	CHK: JG	APP: JG
MATERIAL: CARBON STEEL		DATE: 11/12/04	REV: 000000	BY: JG	CHK: JG	APP: JG
FINISH: ZINC, CLEAR CHROMATE		DATE: 11/12/04	REV: 000000	BY: JG	CHK: JG	APP: JG
WEIGHT: 1.14-1.0001		DATE: 11/12/04	REV: 000000	BY: JG	CHK: JG	APP: JG
PART: 5788816		DATE: 11/12/04	REV: 000000	BY: JG	CHK: JG	APP: JG
CUSTOMER DRAWING		DATE: 11/12/04	REV: 000000	BY: JG	CHK: JG	APP: JG