

4

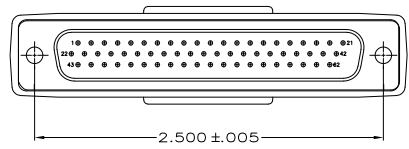
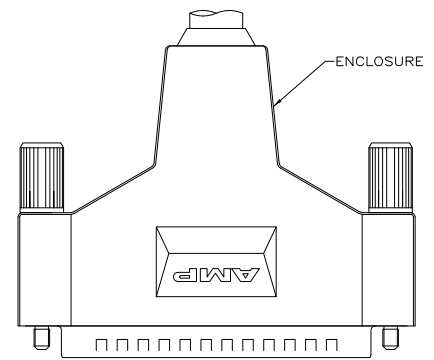
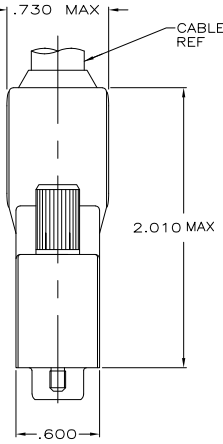
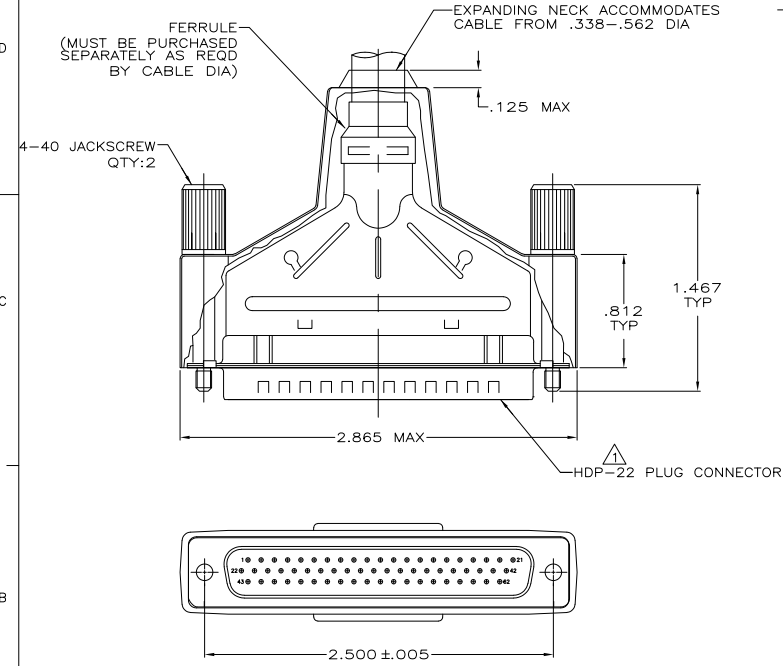
3

2

1

THIS DRAWING IS UNPUBLISHED. RELEASED FOR PUBLICATION
 © COPYRIGHT - By - ALL RIGHTS RESERVED.

LOC		DST		REVISIONS			
P	LTR	DESCRIPTION	DATE	BY	APPD		
GP	00	B1	REVISED PER ECO-11-004835	11MAR11	RK	HMR	



- ⚠️ PLUG ACCEPTS SIZE 22 DF SOCKET CONTACTS. CONTACTS MUST BE PURCHASED SEPARATELY.
- 2. ALL PARTS SHIPPED UNASSEMBLED.
- 3. COMPONENTS INDIVIDUALLY BULK PACKAGED.
- ⚠️ ENCLOSURE: ELASTOMER, STYRENE POLYOLEFIN, OR PVC, BLACK.
- ⚠️ INSERTS: FLAME RETARDANT, 94V-0 RATED, GLASS FILLED, NYLON, BLACK.
- ⚠️ SHIELDS & SHELLS: CARBON STEEL PER ASTM A109.
- ⚠️ JACKSCREWS: ZINC ALLOY.
- ⚠️ SHELLS & SHIELDS: .000200 MIN TIN PLATE OVER .000100 MIN COPPER UNDERPLATE.
- ⚠️ JACKSCREWS: ZINC PHOSPHATE COATING, BLACK.

5748476-1
 PART NUMBER

THIS DRAWING IS A CONTROLLED DOCUMENT.		DWG: L VABELA - 12-21-04 OK: DUCKS J GERACE M WALMSLEY 12-21-04 NAME: M. WALMSLEY PRODUCT SPEC: 108-40005 & 108-40030 APPLICATION SPEC: 114-40030 HEIGHT: - RESTRICTED TO: RESTRICTED CUSTOMER	SIZE: A2 CAGE CODE: 00779 DRAWING NO: C=5748476 SCALE: 2:1 SHEET: 1 of 1 REV: B1
DIMENSIONS: INCHES 0 PLC ± .010 1 PLC ± .005 2 PLC ± .002 3 PLC ± .001 4. PLG ANGLES ± .010	FINISH: ⚠️ MATERIAL: ⚠️	TE Connectivity SHIELDING ENCLOSURE KIT, PLUG, SIZE 4, 62 POSITION, AMPLIMITE, HDP-22	