

4

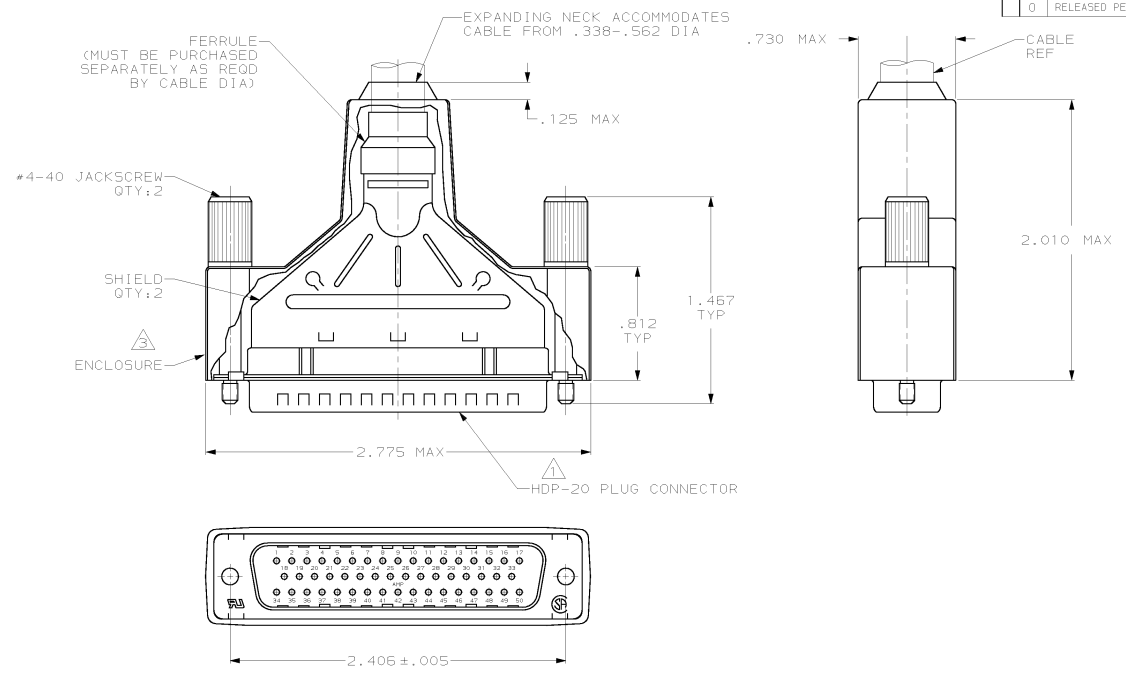
3

2

1

THIS DRAWING IS UNCLASSIFIED
 (C) COPYRIGHT 19 BY AMP INCORPORATED. ALL RIGHTS RESERVED.

REV	DATE	DESCRIPTION	BY	APP'D
0	31.JUL.03	RELEASED PER EC 0513-0196-03	JR	JS



- ⚠️ PLUG ACCEPTS SIZE 20 OF PIN CONTACTS. CONTACTS MUST BE PURCHASED SEPARATELY.
- 2. ALL PARTS SHIPPED UNASSEMBLED.
- ⚠️ FLAME RETARDANT 94V-0 RATED, STYRENE POLYOLEFIN OR PVC, BLACK.
- ⚠️ FLAME RETARDANT 94V-0 RATED GLASS FILLED, NYLON OR POLYESTER, BLACK.
- ⚠️ STEEL PER ASTM A109.
- ⚠️ .000200 MIN TIN PLATE OVER .000100 MIN COPPER UNDERPLATE.
- ⚠️ ZINC PHOSPHATE COATING, BLACK.
- ⚠️ COMPONENTS INDIVIDUALLY BULK PACKED.

PACKAGING	REMARKS	PART NUMBER
	W/LOGO	1658661-1

THIS DRAWING IS A CONTROLLED DOCUMENT.		DATE	31.JUL.03	AMP Incorporated Harrisburg, PA 17105-3608
DRAWN BY: J. BELTZEL		DATE	31.JUL.03	
CHECKED BY: S. BOLASH		DATE	31.JUL.03	NAME: BULK KIT, PLUG, SHIELDING ENCLOSURE, SIZE S, 50 POSN, AMPLIMITE™ HDP-20
DESIGNED BY: M. WALSHLEY		DATE	31.JUL.03	
PARTIAL INSERT: ⚠️		PRODUCT SPEC	108-40030	SIZE: CASE CODE: DRAWING NO: A200779 SCALE: 2:1 SHEET 1 OF 1 REV 0
SHELLS & SHIELDS: ⚠️		APPLICATION SPEC	114-40030	
JACKSCREWS: ZINC ALLOY		FINISH	-	CUSTOMER DRAWINGS
SHELLS & SHIELDS: ⚠️		REMARKS	-	