

4

3

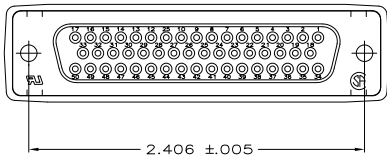
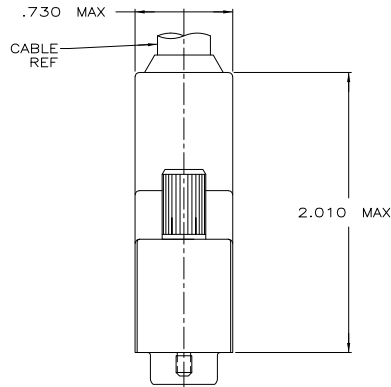
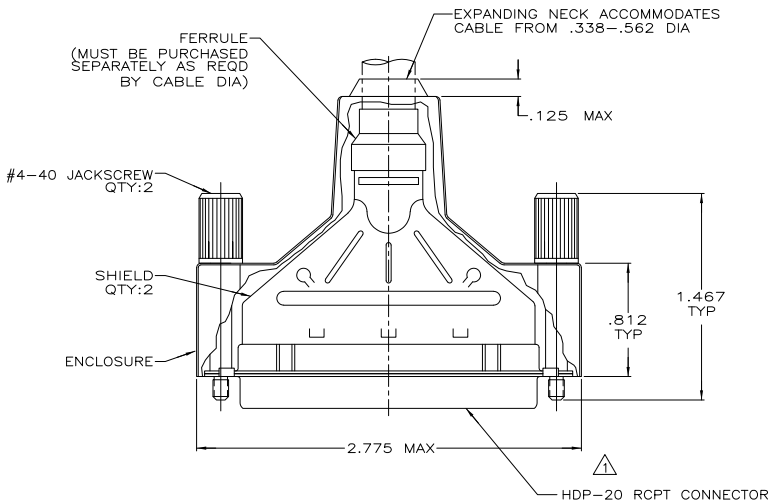
2

1

THIS DRAWING IS UNPUBLISHED. RELEASED FOR PUBLICATION
 © COPYRIGHT BY TYCO ELECTRONICS CORPORATION. ALL RIGHTS RESERVED.

LOC	DIST	REVISIONS				
GP	00	P	LR	DATE	MIN	APD
		A		REVISED PER ECO-08-003213	05FEB08	BM CR

- ⚠ RCPT ACCEPTS SIZE 20 DF SOCKET CONTACTS. CONTACTS MUST BE PURCHASED SEPARATELY.
- 2. ALL PARTS SHIPPED UNASSEMBLED.
- ⚠ ENCLOSURE: FLAME RETARDANT 94V-0 RATED, STYRENE POLYOLEFIN OR PVC, BLACK. INSERT: FLAME RETARDANT 94V-0 RATED GLASS FILLED, NYLON OR POLYESTER, BLACK. SHELLS & SHIELDS: STEEL PER ASTM A109. JACKSCREWS: ZINC ALLOY.
- ⚠ SHELLS & SHIELDS: .000200 MIN TIN PLATE OVER .000100 MIN COPPER UNDERPLATE. JACKSCREWS: ZINC PHOSPHATE COATING, BLACK.
- 5. COMPONENTS INDIVIDUALLY BULK PACKED.



5747959-1
 PART NUMBER

THIS DRAWING IS A CONTROLLED DOCUMENT.		DR: C. ATTADIA 11-10-04	Tyco Electronics Corporation	
		CHK: J. GERACE 11-10-04	Harrisburg, PA 17105-3608	
DIMENSIONS: INCHES		APP: M. WALMSLEY 11-10-04	NAME	
TOLERANCES UNLESS OTHERWISE SPECIFIED:		BULK KIT, RCPT, AMPLITE SHIELDING ENCLOSURE, 50 POSN, SIZE 5, HDP-20		
0 PLC ± .	1 PLC ± .005	PRODUCT SPEC: 108-40005 & 108-40030	SIZE: A2	CAGE CODE: 00779
2 PLC ± .010	3 PLC ± .020	APPLICATION SPEC: 114-40030	DRAWING NO: C=5747959	
4 PLC ± .050	ANGLES ± .	RIGHT: -	RESTRICTED TO: -	
MATERIAL: 3		CUSTOMER DRAWING		SCALE: 2:1
FINISH: 4				SHEET: 1 OF 1
				REV: A

5747959

A