

4

3

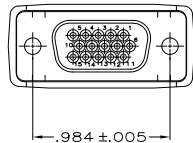
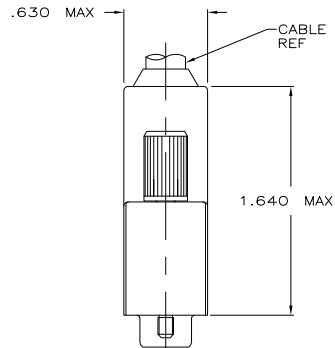
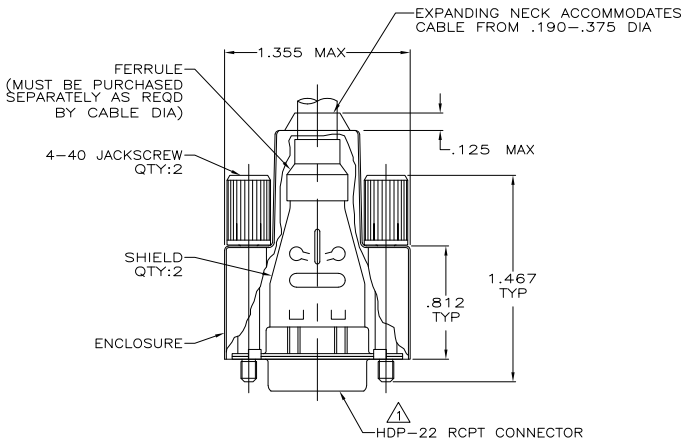
2

1

THIS DRAWING IS UNPUBLISHED. RELEASED FOR PUBLICATION
 © COPYRIGHT BY TYCO ELECTRONICS CORPORATION. ALL RIGHTS RESERVED.

LOC	DIST	REVISIONS		
P	LTR	DESCRIPTION	DATE	BY
CP	00			
A		REVISED PER ECO-08-003213	05FEB08	BM CR

- 1 RECEPTACLE ACCEPTS 22 DF PIN CONTACTS. CONTACTS MUST BE PURCHASED SEPARATELY.
- 2. ALL PARTS SHIPPED UNASSEMBLED.
- 3 MATERIAL: ENCLOSURE: FLAME RETARDANT 94V-0 RATED, STYRENE POLYOLEFIN OR PVC, BLACK.
- 4 MATERIAL: INSERTS: FLAME RETARDANT 94V-0 RATED GLASS FILLED, NYLON OR POLYESTER, BLACK.
- 5 MATERIAL: SHELL & SHIELD: CARBON STEEL.
- 6 FINISH: SHELL & SHIELD: .000200 MIN. TIN PLATE OVER .000200 MIN. COPPER UNDERPLATE.
- 7 FINISH: JACKSCREW: ZINC PHOSPHATE COATING, BLACK.
- 8. COMPONENTS INDIVIDUALLY BULK PACKED.
- 9 MATERIAL: JACKSCREW: ZINC ALLOY.



1658688-1
 PART NUMBER

THIS DRAWING IS A CONTROLLED DOCUMENT.		DRN	L. BAUM	02JAN04	Tyco Electronics Corporation	
DIMENSIONS:		CHK	S. BOLASH	02JAN04	Harrisburg, PA 17105-3608	
INCHES		APPD	M. WALMSLEY	02JAN04	NAME	
OTHER DIMENSIONS:		PRODUCT SPEC	108-1268	SHIELDING ENCLOSURE KIT,		
0 PLC ± .		APPLICATION SPEC	114-10001	SIZE	CAGE CODE	DRAWING NO.
1 PLC ± .		HEIGHT	-	A2	00779	C=1658688
2 PLC ± .005		FINISH		RESTRICTED TO		
3 PLC ± .		CUSTOMER DRAWING		SCALE	2:1	SHEET 1 of 1
4 PLC ± .		MATERIAL		REV A		
5 ANGLE ± .		FINISH				

1658688

A