

4

3

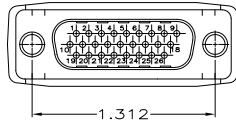
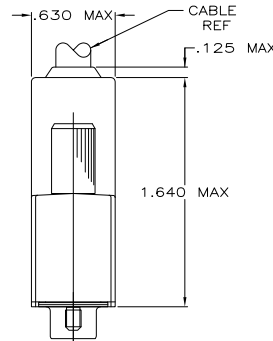
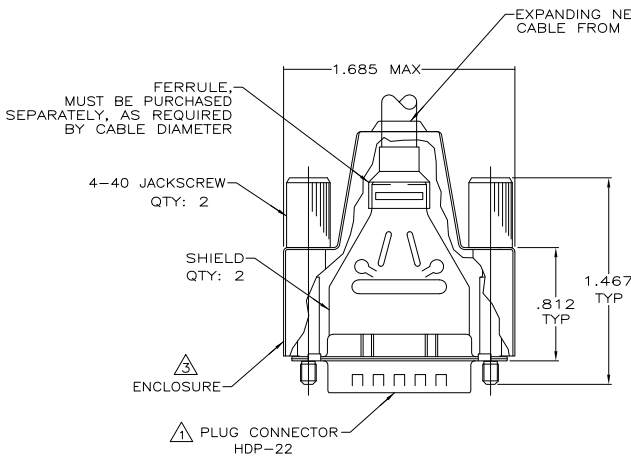
2

1

THIS DRAWING IS UNPUBLISHED. RELEASED FOR PUBLICATION
 © COPYRIGHT - By - ALL RIGHTS RESERVED.

LOC	DIST	REVISIONS		
P	LR	DESCRIPTION	DATE	BY
GP	00			
	A1	REVISED PER ECO-11-004835	11MAR11	RK HMR

- 1. PLUG ACCEPTS 22 DF PIN CONTACTS. CONTACTS MUST BE PURCHASED SEPARATELY.
- 2. ALL PARTS SHIPPED UNASSEMBLED, EACH PART INDIVIDUALLY BULK PACKED.
- 3. FLAME RETARDANT 94V-0 RATED, STYRENE POLYOLEFIN OR PVC, BLACK.
- 4. MATERIAL:
INSERT: FLAME RETARDANT 94V-0 RATED, GLASS FILLED NYLON OR POLYESTER, BLACK.
- 5. MATERIAL:
SHELL & SHIELD: CARBON STEEL.
- 6. FINISH:
SHELL & SHIELD: .000200 MIN. TIN PLATE OVER .000100 MIN COPPER UNDERPLATE.
- 7. FINISH:
JACKSCREW: ZINC PHOSPHATE COATING, BLACK.
- 8. MATERIAL:
JACKSCREW: ZINC ALLOY.



1658679-1
 PART NUMBER

THIS DRAWING IS A CONTROLLED DOCUMENT.		DWG L. BAUM 02JAN04 CHK S. BOLASH 02JAN04 APPR M. WALMSLEY 02JAN04 NAME PRODUCT SPEC 108-1268 APPLICATION SPEC 114-10001 HEIGHT - CUSTOMER DRAWING	 TE Connectivity SHIELDING ENCLOSURE KIT, PLUG, SIZE 2, 26 POSN, HDP-22, AMPLIMITE™	SIZE A2 CAGE CODE 00779 DRAWING NO. C=1658679 RESTRICTED TO - SCALE 2:1 SHEET 1 of 1 REV A1
DIMENSIONS: INCHES 0 PLG ± .005 1 PLG ± .005 2 PLG ± .005 3 PLG ± .005 4 PLG ± .005 ANGLES ± .5° FINISH 4 5 8	TOLERANCES UNLESS OTHERWISE SPECIFIED: .010 ± .005 .015 ± .005 .020 ± .005 .030 ± .005 .040 ± .005 .050 ± .005 .060 ± .005 .070 ± .005 .080 ± .005 .090 ± .005 .100 ± .005 .125 ± .005 .150 ± .005 .175 ± .005 .200 ± .005 .250 ± .005 .300 ± .005 .375 ± .005 .450 ± .005 .500 ± .005 .625 ± .005 .750 ± .005 .875 ± .005 1.000 ± .005 1.250 ± .005 1.500 ± .005 1.750 ± .005 2.000 ± .005 2.500 ± .005 3.000 ± .005 3.750 ± .005 4.500 ± .005 5.000 ± .005 6.250 ± .005 7.500 ± .005 8.750 ± .005 10.000 ± .005 12.500 ± .005 15.000 ± .005 17.500 ± .005 20.000 ± .005 25.000 ± .005 30.000 ± .005 37.500 ± .005 45.000 ± .005 50.000 ± .005 62.500 ± .005 75.000 ± .005 87.500 ± .005 100.000 ± .005 125.000 ± .005 150.000 ± .005 175.000 ± .005 200.000 ± .005 250.000 ± .005 300.000 ± .005 375.000 ± .005 450.000 ± .005 500.000 ± .005 625.000 ± .005 750.000 ± .005 875.000 ± .005 1000.000 ± .005			