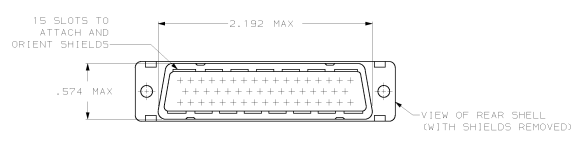
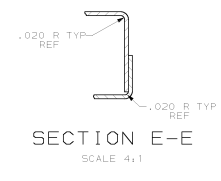
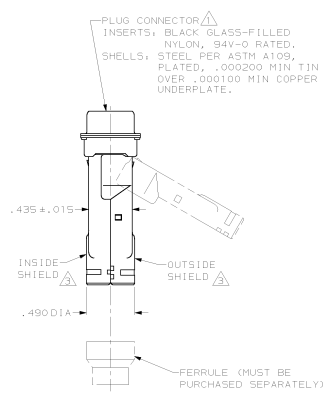
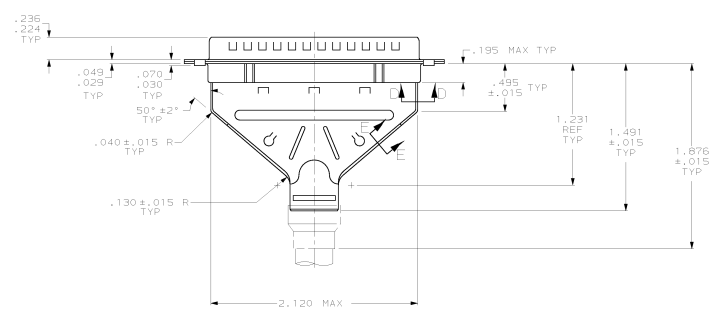
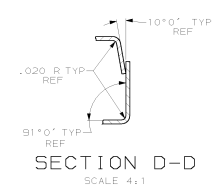
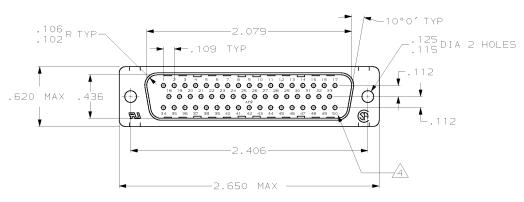


REV		REV		REV		REV		REV	
NO	DATE	BY	CHK	NO	DATE	BY	CHK	NO	DATE
00				0					
GP		TM		0		RELEASED PER EC 0513-0196-03		31.AAL03 JRM JB	



- ⚠️ PLUG ACCEPTS SIZE 20 PIN CONTACTS (CONTACTS MUST BE ORDERED SEPARATELY).
- 2. ALL PARTS SHIPPED UNASSEMBLED, EACH PART INDIVIDUALLY BULK PACKED.
- ⚠️ SHIELDS: MATERIAL—.020 THICK STEEL, PER ASTM A109, PLATED .000200 MIN TIN OVER .000100 MIN COPPER UNDERPLATE.
- ⚠️ RAISED CAVITY IDENTIFICATION AND AMP TRADEMARK.

1658652-1
PART NUMBER

THIS DRAWING IS A CONTROLLED DOCUMENT.		REVISED	DATE	BY	CHK	APP	REV	DATE	BY	CHK	APP
1	10B-40030	114-40030									
DRAWN: SEE CALL OUT		CHECKED: SEE CALL OUT		DESIGNED: SEE CALL OUT		MATERIAL: SEE CALL OUT		PART: SEE CALL OUT		CUSTOMER DRAWING	
AMP Incorporated Harrisburg, PA 17105-3608		KIT, PLUG, SHIELDING HARDWARE, SIZE 5, 50 POSN, AMPLIMITE™ HDP-20		A1 00778		1658652		REVISED TO		DATE	