

4

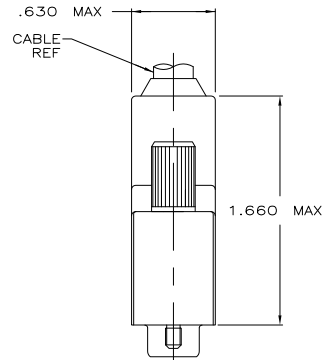
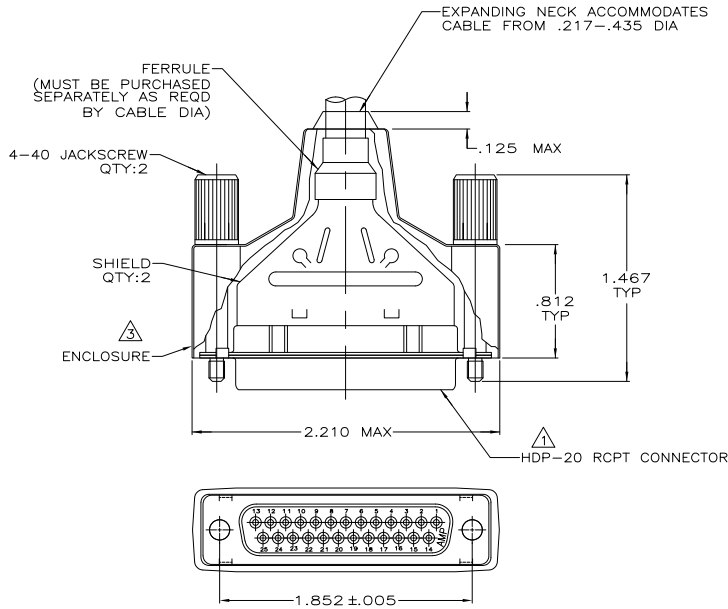
3

2

1

THIS DRAWING IS UNPUBLISHED. RELEASED FOR PUBLICATION. ALL RIGHTS RESERVED.

LOC	DIST	REVISIONS		DATE	BY	APP'D
GP	00	F	LR			
		A1		REVISED PER ECO-11-004835	11MAR11	RK HMR



- 1. RCPT ACCEPTS SIZE 20 DF SOCKET CONTACTS. CONTACTS MUST BE PURCHASED SEPARATELY.
- 2. ALL PARTS SHIPPED UNASSEMBLED.
- 3. FLAME RETARDANT 94V-0 RATED, STYRENE POLYOLEFIN OR PVC, BLACK.
- 4. INSERT - FLAME RETARDANT 94V-0 RATED GLASS FILLED, NYLON OR POLYESTER, BLACK.
- 5. SHELLS & SHIELDS - STEEL PER ASTM A109.
- 6. SHELLS & SHIELDS - .000200 MIN TIN PLATE OVER .000100 MIN COPPER UNDERPLATE.
- 7. COMPONENTS INDIVIDUALLY BULK PACKED.
- 8. ZINC ALLOY.
- 9. ZINC PHOSPHATE COATING, BLACK.

7	W/LOGOS	9	8	1658658-1
PACKAGING	REMARKS	FINISH	MATERIAL	PART NUMBER
		4-40 JACKSCREWS		

THIS DRAWING IS A CONTROLLED DOCUMENT.		31JUL03	TE Connectivity		
DRAWN	J. BEITZEL	31JUL03			
CHEK	S. BOLASH	31JUL03			
APPROV	M. WALMSLEY	31JUL03			
PRODUCT SPEC	108-40030				
APPLICATION SPEC	114-40030	SIZE	CAGE CODE	DRAWING NO	RESTRICTED TO
WEIGHT	-	A2	00779	C=1658658	-
MATERIAL	SEE TABLE	CUSTOMER DRAWING	SCALE	SHEET	REV
FINISH	SEE TABLE		2:1	1 of 1	A1