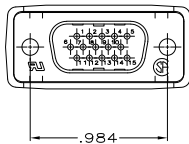
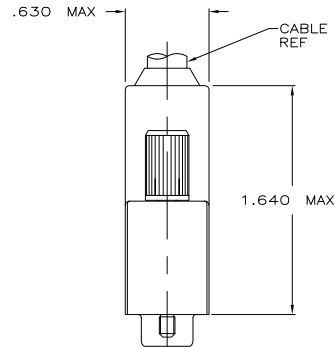
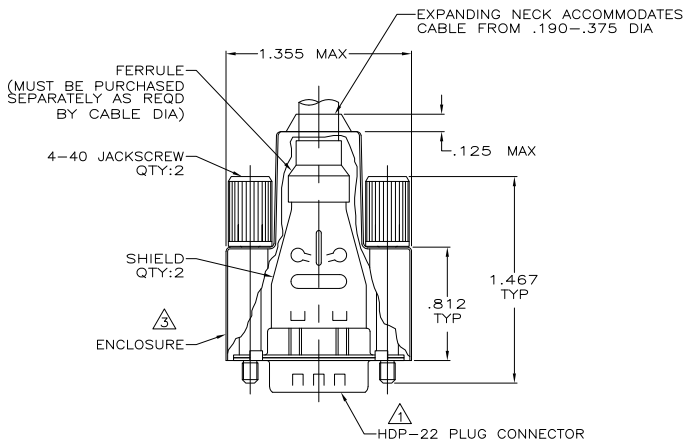


THIS DRAWING IS UNPUBLISHED. RELEASED FOR PUBLICATION
 © COPYRIGHT BY TYCO ELECTRONICS CORPORATION. ALL RIGHTS RESERVED.

LOC	DIST	REVISIONS					
CP	00	P	LTR	DESCRIPTION	DATE	BY	APPD
		A		REVISED PER ECO-08-003213	05FEB08	BM	CR

- 1. PLUG ACCEPTS 22 DF PIN CONTACTS. CONTACTS MUST BE PURCHASED SEPARATELY.
- 2. ALL PARTS SHIPPED UNASSEMBLED.
- 3. FLAME RETARDANT 94V-0 RATED, STYRENE POLYOLEFIN OR PVC, BLACK.
- 4. MATERIAL:
 INSERTS: FLAME RETARDANT 94V-0 RATED GLASS FILLED, NYLON OR POLYESTER, BLACK.
- 5. MATERIAL:
 SHELL & SHIELD: CARBON STEEL.
- 6. FINISH:
 SHELL & SHIELD: .000200 MIN. TIN PLATE OVER .000100 MIN. COPPER UNDERPLATE.
- 7. FINISH:
 JACKSCREW: ZINC PHOSPHATE COATING, BLACK.
- 8. COMPONENTS INDIVIDUALLY BULK PACKED.
- 9. MATERIAL:
 JACKSCREW: ZINC ALLOY.



1658678-1
 PART NUMBER

THIS DRAWING IS A CONTROLLED DOCUMENT.		BY: L. BAUM 02JAN04	Tyco Electronics Corporation	
DIMENSIONS: INCHES		CHK: S. BOLASH 02JAN04	Harrisburg, PA 17105-3608	
OTHER DIMENSIONS: DIMENSIONS UNLESS OTHERWISE SPECIFIED		APPD: M. WALMSLEY 02JAN04	NAME: Tyco Electronics	
0 PLC ± .005		PRODUCT SPEC: 108-1268		SHIELDING ENCLOSURE KIT, PLUG, SIZE 1, 15 POSN, HDP-22, AMPLIMITE™
1 PLC ± .005		APPLICATION SPEC: 114-10001		
2 PLC ± .005		WEIGHT: -		RESTRICTED TO: -
3 PLC ± .005		SIZE: A2		CAGE CODE: 00779
4. PLG ANGLES ± .5°		CUSTOMER DRAWING		DRAWING NO: C=1658678
MATERIAL: 4 5 9		SCALE: 2:1		SHEET: 1 of 1
FINISH: 6 7				REV: A