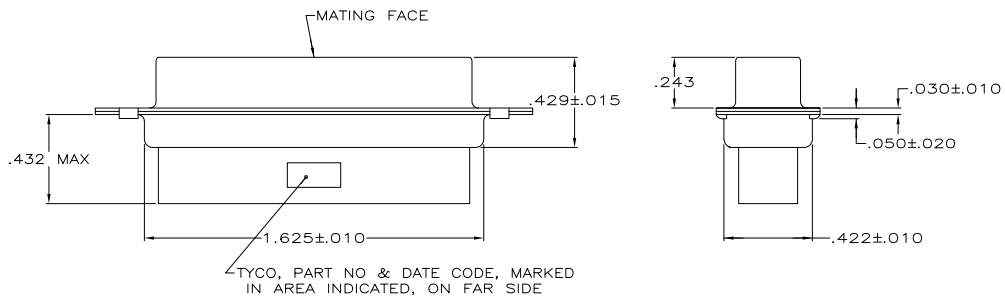
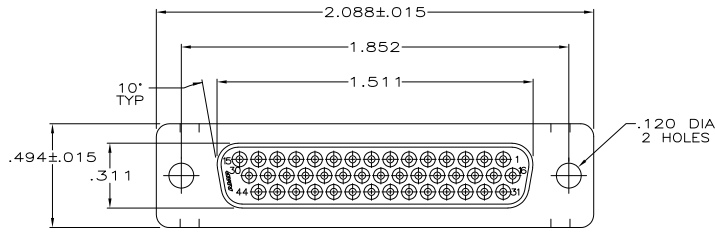


4 3 2 1

THIS DRAWING IS UNPUBLISHED. RELEASED FOR PUBLICATION
 © COPYRIGHT - By - ALL RIGHTS RESERVED.

LOC		DIBT		REVISIONS		
P	LR	DESCRIPTION	DATE	BY	APPD	
GP	00					
P	P	REVISED PER ECO-11-004835	11MAR11	RK	HMR	



- 1. CONNECTOR ACCEPTS 22 DF SOCKET CONTACTS, RETENTION TINES ARE AN INTEGRAL PART OF INSERT.
- △ FLAME RETARDANT 94V-0 RATED GLASS FILLED NYLON, COLOR: BLACK.
- △ CARBON STEEL.
- △ .000200 MIN. TIN PLATE OVER .000100 MIN. COPPER UNDERPLATE.

1658683-1
PART NUMBER

THIS DRAWING IS A CONTROLLED DOCUMENT.		DRN	L. BAUM	02JAN04		RECEPTACLE ASSEMBLY, SIZE 3, 44 POSN, HDP-22, AMPLIMITE	RESTRICTED TO					
DIMENSIONS: INCHES		CHK	S. BOLASH	02JAN04								
OTHER DIMENSIONS UNLESS OTHERWISE SPECIFIED:		APPD	M. WALMSLEY	02JAN04	NAME							
0 PLC ± .010 1 PLC ± .005 2 PLC ± .005 3 PLC ± .005 4. PLC ± .005 ANGLES ± .5°		PRODUCT SPEC		108-1268	APPLICATION SPEC	114-10001						
MATERIAL: MOLDED PARTS: △ SHELLS: △		FINISH		SHELLS: △		SIZE	CAGE CODE	DRAWING NO	RESTRICTED TO			
						A2	00779	C=1658683				
						CUSTOMER DRAWING	SCALE	3:1	SHEET	1 of 1	REV	P