

4

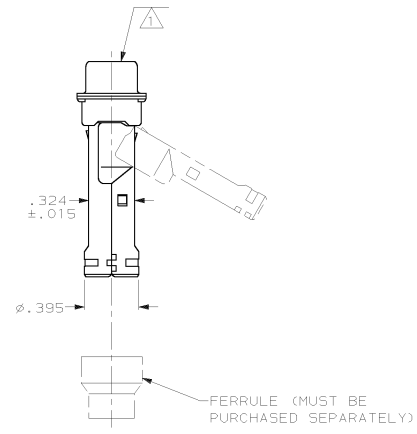
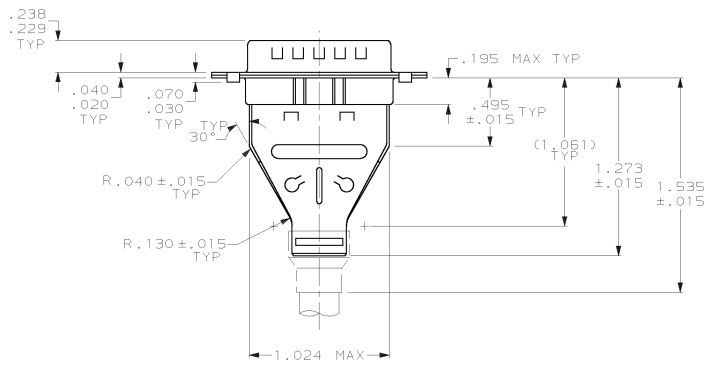
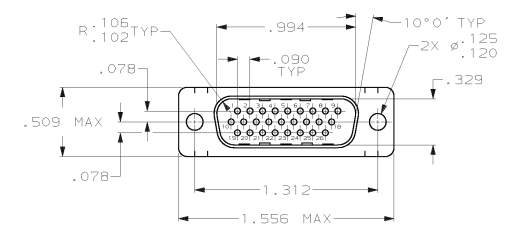
3

2

1

THIS DRAWING IS UNCLASSIFIED
 (C) COPYRIGHT IS BY AMP INCORPORATED. ALL RIGHTS RESERVED.

REV	DATE	DESCRIPTION	DATE	BY	APPD
0	02JAN04	RELEASED PER EC 0513-0209-03	02JAN04	LB	SB



- ⚠️ PLUG ACCEPTS 22 PIN CONTACTS (CONTACTS MUST BE ORDERED SEPARATELY).
- 2. ALL PARTS SHIPPED UNASSEMBLED, EACH PART INDIVIDUALLY BULK PACKED.
- ⚠️ FLAME RETARDANT 94V-0 GLASS FILLED NYLON, BLACK.
- ⚠️ .000200 MIN. TIN PLATE OVER .000100 MIN. COPPER UNDERPLATE.

1658676-1
 PART NUMBER

THIS DRAWING IS A CONTROLLED DOCUMENT		DATE	02JAN04	AMP Incorporated Harrisburg, PA 17105-3608	KIT, PLUG, SHIELDING HARDWARE, SIZE 2, 26 POSN, HDP-22, AMPLIMITE™	RESTRICTED TO
DRAWN BY: L. BAUM		DATE	02JAN04			
CHECKED BY: M. BOLASH		DATE: 02JAN04		DRAWING NO: A200779		SCALE: 2:1
DESIGNED BY: M. WALMSLEY		PRODUCT SPEC: 108-1268		DRAWING NO: 1658676		
APPLICATION SPEC: 114-10001		DATE: 114-10001		DRAWING NO: 1658676		SHEET 1 OF 1
MATERIAL: HOUSING: CARBON STEEL		FINISH: SHELLS & SHIELDS: CARBON STEEL		DRAWING NO: 1658676		

AMP 1471-9 REV 11/04/97
 01-466-04 08:39:50 88420 /nd/walmsley/js8