

4

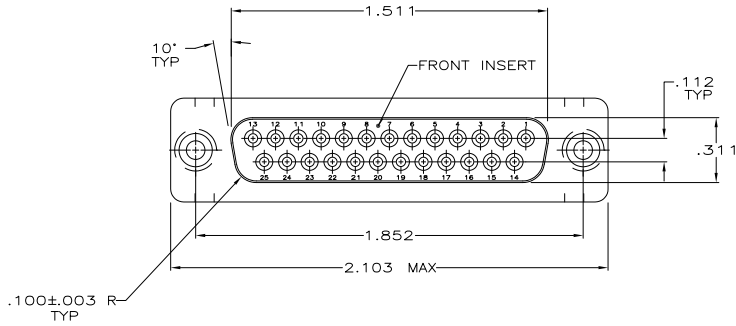
3

2

1

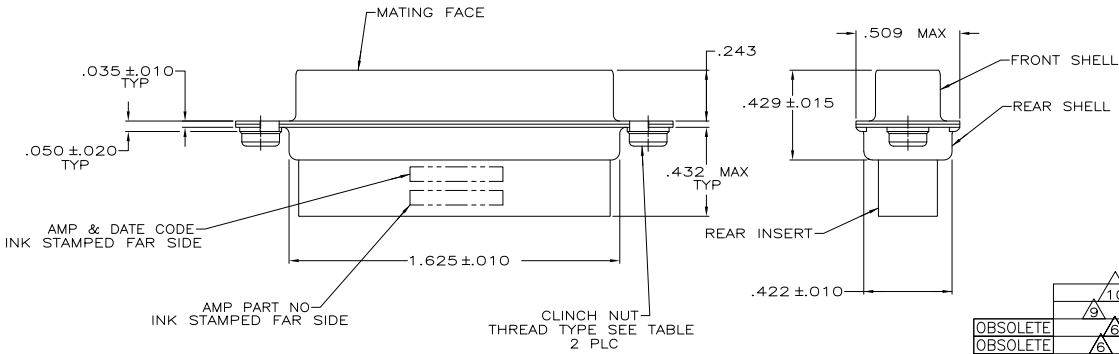
THIS DRAWING IS UNPUBLISHED. RELEASED FOR PUBLICATION. ALL RIGHTS RESERVED.

LOC	DIST	REVISIONS			
P	LTR	DESCRIPTION	DATE	BY	APPD
GP	00				
	F4	REVISED PER ECO-11-004835	11MAR11	RK	HMR



1. WIRE INSULATION SIZE RECOMMENDED FOR USE WITH THIS RECEPTACLE IS .068 DIA MAX.
2. TO INSERT AND REMOVE CONTACTS USE TOOL 91067-2.
3. CONTACT RETENTION TINES ARE AN INTEGRAL PART OF INSERT.

- △4 CARBON STEEL.
- △5 ZINC PLATED YELLOW CHROMATE.
- △6 .000200 MIN TIN OR TIN-LEAD PLATE OVER .000100 COPPER UNDERPLATE.
- △7 GLASS FILLED BLACK NYLON.
- △8 ZINC PLATED CLEAR CHROMATE.
- △9 .000200 MIN TIN PLATE OVER .000100 MIN COPPER UNDERPLATE.
- △10 ZINC PLATED .000200-.000400 THICK, YELLOW TRIVALENT CHROMIUM CHROMATE COATING.



	△10	△8	4-40	207516-6
	△9	△7	4-40	207516-5
OBSOLETE	△6	△5	M-3	207516-4
OBSOLETE	△5	△4	4-40	207516-3
OBSOLETE	△4	△3	-	207516-2
OBSOLETE	△3	△2	4-40	207516-1
	△2	△1	THREAD	PART NUMBER

THIS DRAWING IS A CONTROLLED DOCUMENT.		BY	DATE	TE Connectivity	
DIMENSIONS: INCHES		H. MOLL	11 APR 91	RECEPTACLE CONNECTOR, SIZE 3, 25 POSN, WITH CLINCH NUTS,	
OTHER DIMENSIONS: MILLIMETERS		OK	17 APR 91	SIZE CASE CODE DRAWING NO	
FINISH: 0 PLC ± .005, 1 PLC ± .005, 2 PLC ± .005, 3 PLC ± .005, 4 PLC ± .005, ANGLES ± .005		S. STONE		A2	00779C-207516
MATERIAL: INSERTS △	CLINCH NUTS & SHELLS: △	APD		RESTRICTED TO	
CUSTOMER DRAWING				SCALE	3:1 SHEET 1 of 1 REV F4