

4

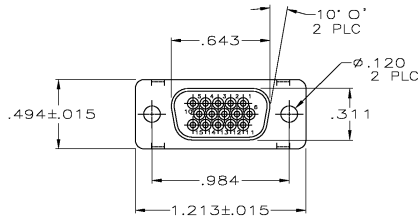
3

2

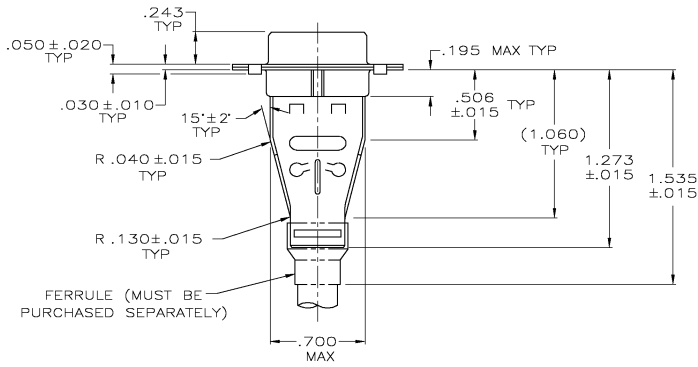
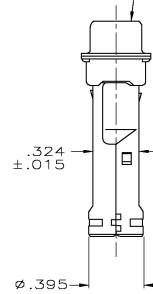
1

THIS DRAWING IS UNPUBLISHED. RELEASED FOR PUBLICATION
 © COPYRIGHT BY TYCO ELECTRONICS CORPORATION. ALL RIGHTS RESERVED.

LOC	DIST	REVISIONS					
CP	00	P	LTR	DESCRIPTION	DATE	MM	APVD
		0		RELEASED PER EC 0513-0257-04	11-11-04	GA	JG



RECEPTACLE CONNECTOR



1. RECEPTACLE ACCEPTS SIZE 22 SOCKET CONTACTS (CONTACTS ORDERED SEPARATELY)
2. ALL PARTS SHIPPED UNASSEMBLED, EACH PART INDIVIDUALLY BULK PACKED.

- ⚠ HOUSING: FLAME RETARDANT 94V-0 RATED, GLASS FILLED NYLON, BLACK.
- ⚠ SHELLS & SHIELDS: STEEL PER ASTM A109
- ⚠ SHELLS & SHIELDS: .000200 MIN TIN PLATE OVER .000100 MIN COPPER UNDERPLATE.

5748634-1
PART NUMBER

THIS DRAWING IS A CONTROLLED DOCUMENT.		DR: S. ATTADIA 11-11-04	Tyco Electronics Corporation	
		CHK: J. GERACE 11-11-04	Harrisburg, PA 17105-3608	
DIMENSIONS: INCHES		APP: M. WALMSLEY 11-11-04	KIT, RCPT, SHIELDING HARDWARE, SIZE 1, 15 POSN, HDP-22, AMPLMITE	
TOLERANCES UNLESS OTHERWISE SPECIFIED:		PROJCT SPEC: 108-1268	RESTRICTED TO	
Ø PLG ± .005		APPLICATION SPEC: 114-10001	SIZE: A2	CAGE CODE: 00779
Ø PLG ± .005		HEIGHT: -	DRWING NO: C-5748634	REV: 0
Ø PLG ± .005			SCALE: 2:1	SHEET: 1 OF 1
MATERIAL: ⚠ ⚠				
FINISH: ⚠				
		CUSTOMER DRAWING		

AMP 1421-9 REV 31 MAR 2000

5748634

B

A