

4

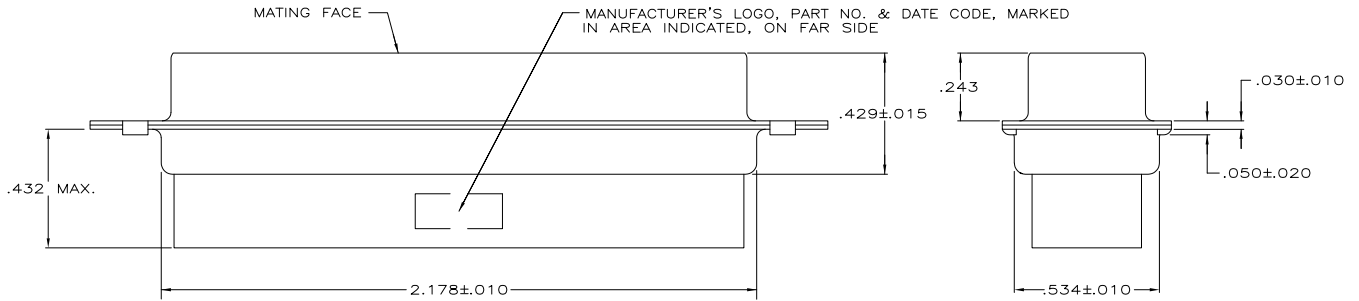
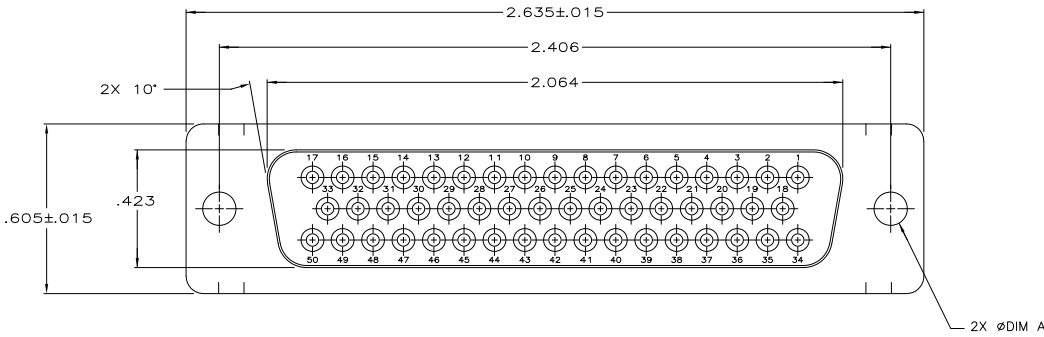
3

2

1

THIS DRAWING IS UNPUBLISHED. RELEASED FOR PUBLICATION
 © COPYRIGHT - By - ALL RIGHTS RESERVED.

LOC	DIST	REVISIONS			
P	LTR	DESCRIPTION	DATE	BY	APPD
GP	00				
	C1	REVISED PER ECO-11-004835	11MAR11	RK	HMR



- CONNECTOR ACCEPTS SIZE 20 DF SOCKET CONTACTS, RETENTION TINES ARE AN INTEGRAL PART OF INSERT.
- MATERIAL:**
MOLDED PARTS - FLAME RETARDANT 94V-0 RATED, GLASS FILLED NYLON, BLACK.
SHELLS - STEEL PER ASTM A109.
- FINISH:**
SHELL - .000200 MIN TIN PLATE OVER .000100 MIN COPPER UNDERPLATE.
- FINISH:**
SHELL - ZINC PLATED .000200-.000400 THICK, YELLOW CHROMATE COATING.

STANDARD	4	.120	1658640-2
STANDARD	3	.120	1658640-1
PACKAGING TYPE	FINISH	DIM A	PART NO.

DIMENSIONS:		OTHER DIMENSIONS:		OTHER DIMENSIONS:		OTHER DIMENSIONS:	
INCHES	MILLIMETERS	INCHES	MILLIMETERS	INCHES	MILLIMETERS	INCHES	MILLIMETERS
0 PLC	± .005	1 PLC	± .005	2 PLC	± .005	3 PLC	± .005
4 PLC	± .005	5 PLC	± .005	6 PLC	± .005	7 PLC	± .005
8 ANGLE	± .005	9 ANGLE	± .005	10 ANGLE	± .005	11 ANGLE	± .005
MATERIAL		FINISH		SEE TABLE		SEE TABLE	

THIS DRAWING IS A CONTROLLED DOCUMENT.	DATE: 29 JUL 03	BY: J. REITZEL	DATE: 29 JUL 03	CHK: S. BOLASH	DATE: 29 JUL 03	APPD: M. WALMSLEY	DATE: 29 JUL 03	NAME: M. WALMSLEY
PRODUCT SPEC: 108-40005	APPLICATION SPEC: 114-40030	SIZE: A2	CAGE CODE: 00779	DRAWING NO: C=1658640	RESTRICTED TO: -			
CUSTOMER DRAWING		SCALE: 4:1	SHEET: 1 of 1	REV: C1	RECEPTACLE CONNECTOR, SIZE 5, 50 POS., AMPLIMITE HDP			

1471-9 (3/11)

1658640

A