

4

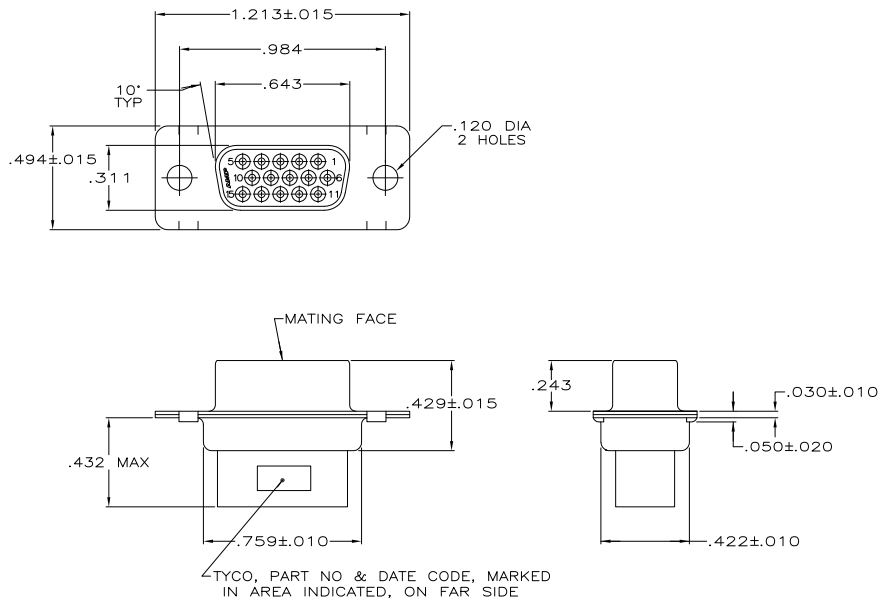
3

2

1

THIS DRAWING IS UNPUBLISHED. RELEASED FOR PUBLICATION
 © COPYRIGHT - By - ALL RIGHTS RESERVED.

| LOC | DIST | REVISIONS | | | | | |
|-----|------|-----------|----|---------------------------|---------|----|------|
| GP | 00 | P | LR | DESCRIPTION | DATE | BY | APPD |
| | | C1 | | REVISED PER ECO-11-004835 | 11MAR11 | RK | HMR |



1. CONNECTOR ACCEPTS 22 DF SOCKET CONTACTS, RETENTION TINES ARE AN INTEGRAL PART OF INSERT.

2 MATERIAL:
 MOLDED PARTS - FLAME RETARDANT 94V-0 RATED, GLASS FILLED NYLON, COLOR: BLACK.
 SHELLS - CARBON STEEL.

3 FINISH:
 SHELLS - .000200 MIN TIN OVER .000100 MIN COPPER UNDERPLATE.

1658681-1
 PART NUMBER

| THIS DRAWING IS A CONTROLLED DOCUMENT. | | BY | DATE | TE Connectivity | |
|--|--|-------------|---------|--|--|
| DIMENSIONS: | | L. BAUM | 02JAN04 | RECEPTACLE ASSEMBLY, SIZE 1, 15 POSN, HDP-22, AMPLIMITE® | |
| INCHES | | S. BOLASH | 02JAN04 | | |
| TOLERANCES UNLESS OTHERWISE SPECIFIED: | | APD | 02JAN04 | NAME | |
| 0 PLC ± .005 | | M. WALMSLEY | | 108-1268 | |
| 1 PLC ± .005 | | | | APPLICATION SPEC | |
| 2 PLC ± .005 | | | | 114-10001 | |
| 3 PLC ± .005 | | | | SIZE | |
| 4 PLC ± .005 | | | | A2 | |
| ANGLES ± .5° | | | | CAGE CODE | |
| | | | | 00779 | |
| MATERIAL | | | | DRAWING NO | |
| FINISH | | | | 1658681 | |
| | | | | RESTRICTED TO | |
| | | | | - | |
| | | | | CUSTOMER DRAWING | |
| | | | | SCALE | |
| | | | | 3:1 | |
| | | | | SHEET | |
| | | | | 1 of 1 | |
| | | | | REV | |
| | | | | C1 | |

1471-9 (3/11)

1658681

A