

4

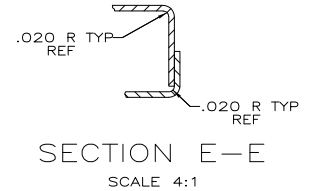
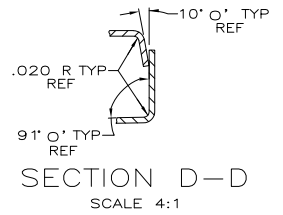
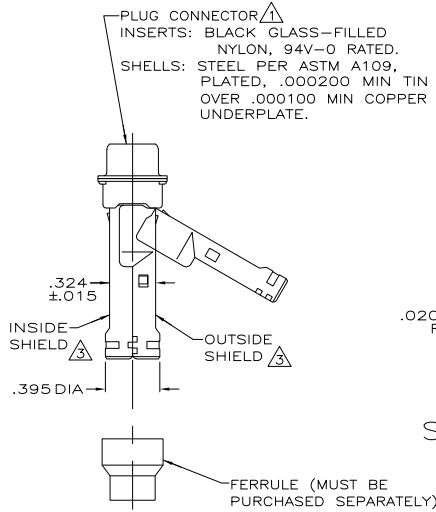
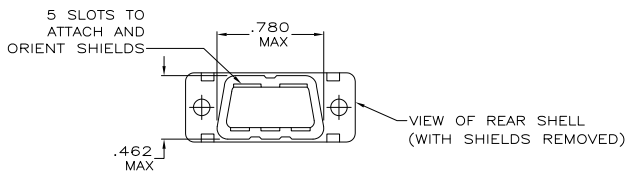
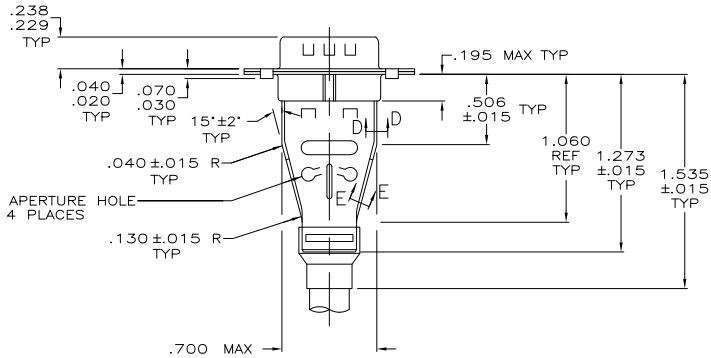
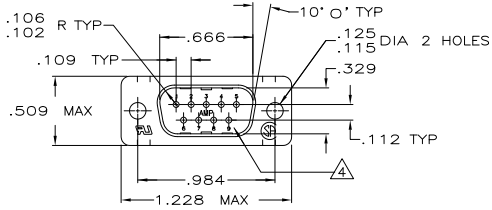
3

2

1

THIS DRAWING IS UNPUBLISHED. RELEASED FOR PUBLICATION. ALL RIGHTS RESERVED.

| LOC |    | DIBT |     | REVISIONS                 |         |        |
|-----|----|------|-----|---------------------------|---------|--------|
| GP  | 00 | P    | LTR | DESCRIPTION               | DATE    | BY     |
|     |    | P    |     | REVISED PER ECO-11-004835 | 11MAR11 | RK HMR |



- ▲ PLUG ACCEPTS SIZE 20 PIN CONTACTS (CONTACTS MUST BE ORDERED SEPARATELY).
- 2. ALL PARTS SHIPPED UNASSEMBLED, EACH PART INDIVIDUALLY BULK PACKED.
- ▲ SHIELDS: MATERIAL—.020 THICK STEEL, PER ASTM A109, PLATED .000200 MIN TIN OVER .000100 MIN COPPER UNDERPLATE.
- ▲ RAISED CAVITY IDENTIFICATION AND AMP TRADEMARK.

1658645-1  
PART NUMBER

|  |  |                        |  |                          |
|--|--|------------------------|--|--------------------------|
| THIS DRAWING IS A CONTROLLED DOCUMENT. |  | DN<br>J. REITZEL       | 26AUG03  | <br>TE Connectivity      |
| DIMENSIONS:<br>INCHES                  |  | CHK<br>S. BOLASH       | 26AUG03  |                          |
| MATERIAL<br>SEE CALL OUT               |  | FINISH<br>SEE CALL OUT | PRODUCT SPEC<br>M. WALMSLEY<br>108-40030<br>APPLICATION SPEC<br>114-40030<br>WEIGHT<br>- | SIZE<br>A2               |
| CUSTOMER DRAWING                       |  | DATE CODE<br>00779     |  | DRAWING NO.<br>C=1658645 |
|  |  | SCALE<br>2:1           |  | SHEET<br>1 of 1          |
|  |  |                        |  | REV<br>P                 |

1471-9 (3/11)

1658645

A