

4

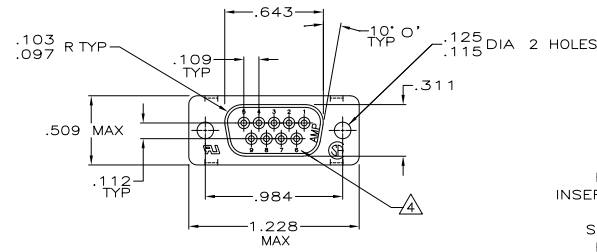
3

2

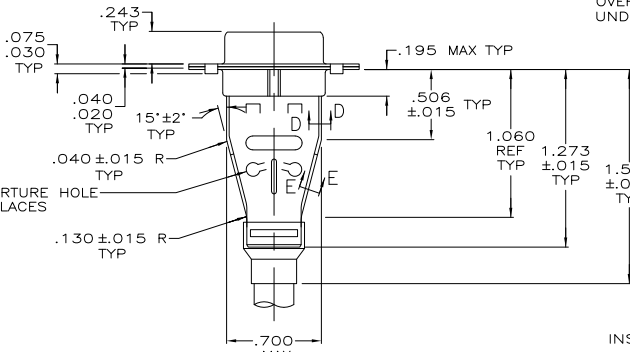
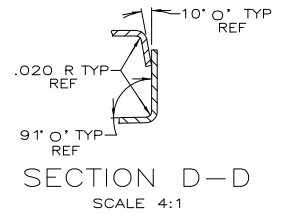
1

THIS DRAWING IS UNPUBLISHED. RELEASED FOR PUBLICATION
 © COPYRIGHT - By - ALL RIGHTS RESERVED.

LOC		DIST		REVISIONS			
GP	00	P	LTR	DESCRIPTION	DATE	BY	APPD
		P		REVISED PER ECO-11-004835	11MAR11	RK	HMR



RECEPTACLE CONNECTOR
 INSERT: BLACK GLASS FILLED NYLON
 94 V-0 RATED
 SHELL: STEEL PER ASTM A109
 PLATED, .000200 MIN TIN
 OVER .000100 MIN COPPER
 UNDERPLATE.

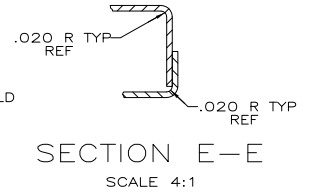
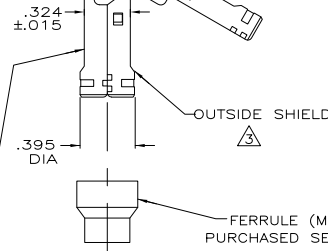


APERTURE HOLE
 4 PLACES

5 SLOTS TO
 ATTACH AND
 ORIENT SHIELDS

VIEW OF REAR SHELL
 (WITH SHIELDS REMOVED)

INSIDE SHIELD



- ⚠ RECEPTACLE ACCEPTS SIZE 20 SOCKET CONTACTS (CONTACTS ORDERED SEPARATELY)
- 2 ALL PARTS SHIPPED UNASSEMBLED, EACH PART INDIVIDUALLY BULK PACKED.
- ⚠ SHIELDS: MATERIAL—.020 THICK STEEL, PER ASTM A109, PLATED .000200 MIN TIN OVER .000100 MIN COPPER UNDERPLATE.
- ⚠ RAISED CAVITY IDENTIFICATION AND AMP TRADEMARK.

1658646-1

PART NUMBER

THIS DRAWING IS A CONTROLLED DOCUMENT.		BY: J. REITZEL 30JUL03	TE Connectivity	
DIMENSIONS: INCHES		CHK: S. BOLASH 30JUL03	KIT, RCPT, SHIELDING HARDWARE, SIZE 1, 9 POSITION, AMPLIMITE™ HDP-20	
OTHER PARTS NUMBER:		APP: M. WALMSLEY 30JUL03	RESTRICTED TO	
MATERIAL: SEE CALL OUT		PRODUCT SPEC: 108-40030	SIZE: A2	CHG CODE: 00779
FINISH: SEE CALL OUT		APPLICATION SPEC: 114-40030	DRAWING NO: C=1658646	
		WEIGHT: -	SCALE: 2:1	
		CUSTOMER DRAWING	SHEET: 1 of 1	
			REV: P	

1471-9 (3/11)

1658646

A