

4

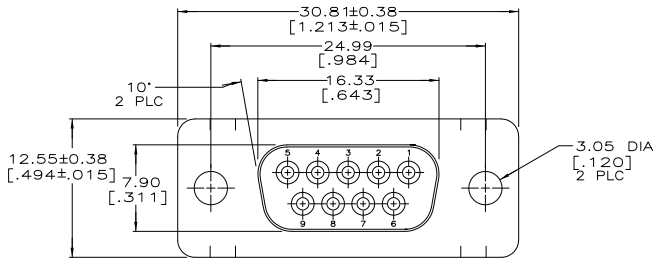
3

2

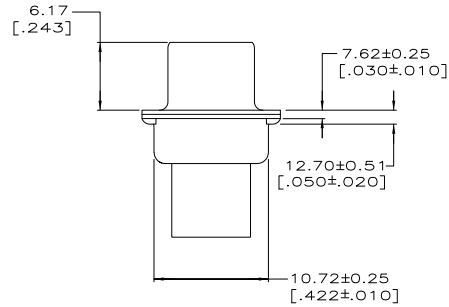
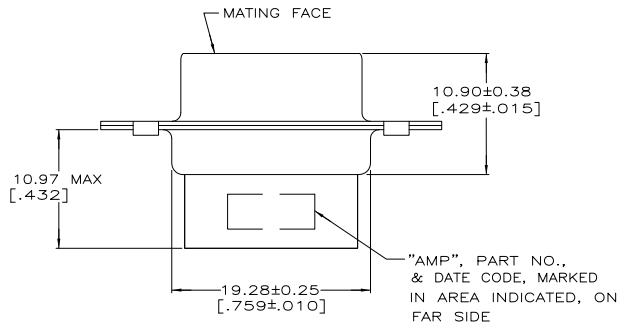
1

THIS DRAWING IS UNPUBLISHED. RELEASED FOR PUBLICATION. ALL RIGHTS RESERVED.

LOC		DIBT		REVISIONS			
P	LTR	DESCRIPTION	DATE	BY	APPD		
GP	00						
	K2	REVISED PER ECO-11-004835	11MAR11	RK	HMR		



- CONNECTOR ACCEPTS SIZE 20 DF SOCKET CONTACTS, RETENTION TINES ARE AN INTEGRAL PART OF INSERT.
 - CONNECTOR COMPLIES WITH 108-40005 WHERE APPLICABLE.
- ▲ MOLDED PARTS: NYLON, FLAME RETARDANT, 94V-0 RATED, GLASS FILLED, BLACK.
 - ▲ SHELLS: STEEL PER ASTM A109.
 - ▲ ZINC PLATED PER ASTM B633; TYPE II; CLASS SC1; YELLOW CHROMATE.
 - ▲ TIN PLATED PER MIL-T-10727 OVER COPPER PER MIL-C-14550.
 - ▲ CHROME PLATED.
 - ▲ ZINC PLATED .000200-.000400 THICK, YELLOW TRIVALENT CHROMIUM CHROMATE COATING.



	STANDARD	▲	205203-8
OBSOLETE	SMALL PACK	▲	205203-6
	STANDARD	▲	205203-3
OBSOLETE	STANDARD	▲	205203-1
	PACKAGING TYPE	SHELL FINISH	PART NO

THIS DRAWING IS A CONTROLLED DOCUMENT.		DATE		BY		NAME		TE Connectivity	
APPROVED		7-19-05	S. WELDON		7-19-05		TE Connectivity		
CHECKED		7-29-05	J. GERACE		7-29-05		RCPT CONNECTOR, SIZE 1, 9 POSN, AMPLIMITE, HDP		
DESIGNED		7-31-05	V. KUMAR		7-31-05		A2 00779 C-205203		
DRAWN		APPLICATION SPEC		SIZE		CASE CODE		DRAWING NO	
MATERIAL		WEIGHT		A2		00779		C-205203	
FINISH		CUSTOMER DRAWING		SCALE		SHEET		REV	
SHELLS: SEE TABLE		4:1		1 of 1		K2			