

4

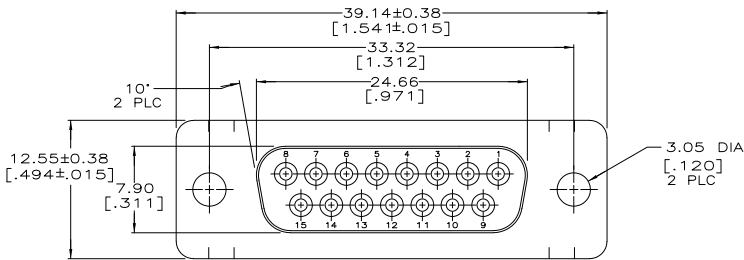
3

2

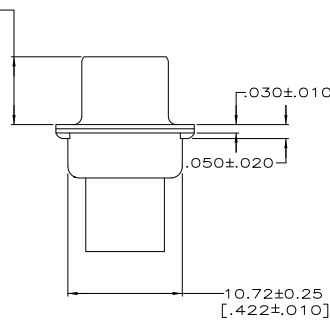
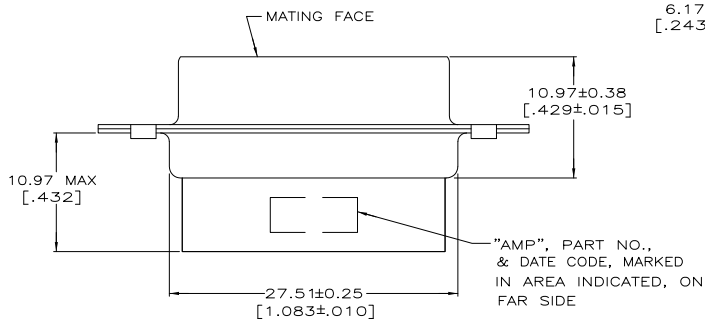
1

THIS DRAWING IS UNPUBLISHED. RELEASED FOR PUBLICATION
 © COPYRIGHT - By - ALL RIGHTS RESERVED.

LOC		DIBT		REVISIONS			
P	LTR	DESCRIPTION	DATE	BY	APPD		
GP	00						
	J2	REVISED PER ECO-11-004835	11MAR11	RK	HMR		



- CONNECTOR ACCEPTS SIZE 20 DF SOCKET CONTACTS, RETENTION TINES ARE AN INTEGRAL PART OF INSERT.
 - CONNECTOR COMPLIES WITH 108-40005 WHERE APPLICABLE.
- ▲ MOLDED PARTS: NYLON, FLAME RETARDANT, 94V-0 RATED, GLASS FILLED, BLACK.
 - ▲ SHELLS: STEEL PER ASTM A109.
 - ▲ ZINC PLATED PER ASTM B633; TYPE II; CLASS SC1; YELLOW CHROMATE.
 - ▲ TIN PLATED PER MIL-T-10727 OVER COPPER PER MIL-C-14550.
 - ▲ ZINC PLATED .000200-.000400 THICK, YELLOW TRIVALENT CHROMIUM CHROMATE COATING.



SUPERSEDED BY 205205-1	STANDARD	▲	205205-7
	SMALL PACK	▲	205205-5
	STANDARD	▲	205205-2
	OBSOLETE	▲	205205-1
	PACKAGING TYPE	SHELL FINISH	PART NO

THIS DRAWING IS A CONTROLLED DOCUMENT.		BY: S. WELDON	7-19-05	 TE Connectivity
DIMENSIONS: INCHES		CHK: J. GERACE	7-28-05	
TOLERANCES UNLESS OTHERWISE SPECIFIED:		APPD: V. KUMAR	7-31-05	
0 PLC ± .005 1 PLC ± .005 2 PLC ± .005 3 PLC ± .010 (205) 4 PLC ± .005 ANGLES ± .5°		NAME: V. KUMAR	7-31-05	
MATERIAL: SEE NOTES	FINISH: SHELLS: SEE TABLE	APPLICATION SPEC: -	SIZE: A2	RCPT CONNECTOR, SIZE 2, 15 POSN, AMPLIMITE, HDP
		WEIGHT: -	CAGE CODE: 00779	DRAWING NO: C-205205
			CUSTOMER DRAWING	RESTRICTED TO: -
			SCALE: 4:1	SHEET: 1 of 1
				REV: J2

1471-9 (3/11)

205205

B

A